

# M-AUDIO®

## UBER MIC

---

### User Guide

English ( 3 - 10 )

### Guía del usuario

Español ( 11 - 18 )

### Guide d'utilisation

Français ( 19 - 26 )

### Guida per l'uso

Italiano ( 27 - 34 )

### Benutzerhandbuch

Deutsch ( 35 - 42 )

### Appendix

English ( 43 )



## User Guide (English)

### Introduction

#### Features

- Easy, intuitive operation for any application
- Wide-range 30–20,000 Hz frequency response delivers detailed, natural sound
- 3-capsule condenser microphone element, including single-point stereo
- 4 selectable polar patterns to customize your ideal recording
- Polar patterns: cardioid, figure-8, omnidirectional, and stereo
- 1/8" headphone jack and internal headphone amplifier
- USB/direct mixing control with mic volume control enables zero-latency recording and monitoring
- Microphone mute control ensures privacy
- LCD display shows polar pattern and currently selected control level
- Studio-quality recording and playback for accurate reproduction
- Convenient desktop mounting with threaded insert for optional stand-mounting
- Integrated stand fits easily into any setup

#### Box Contents

Uber Mic	Mini-USB Cable
Integrated Microphone Stand	User Guide
Microphone Stand Extender	Safety & Warranty Manual

#### Support

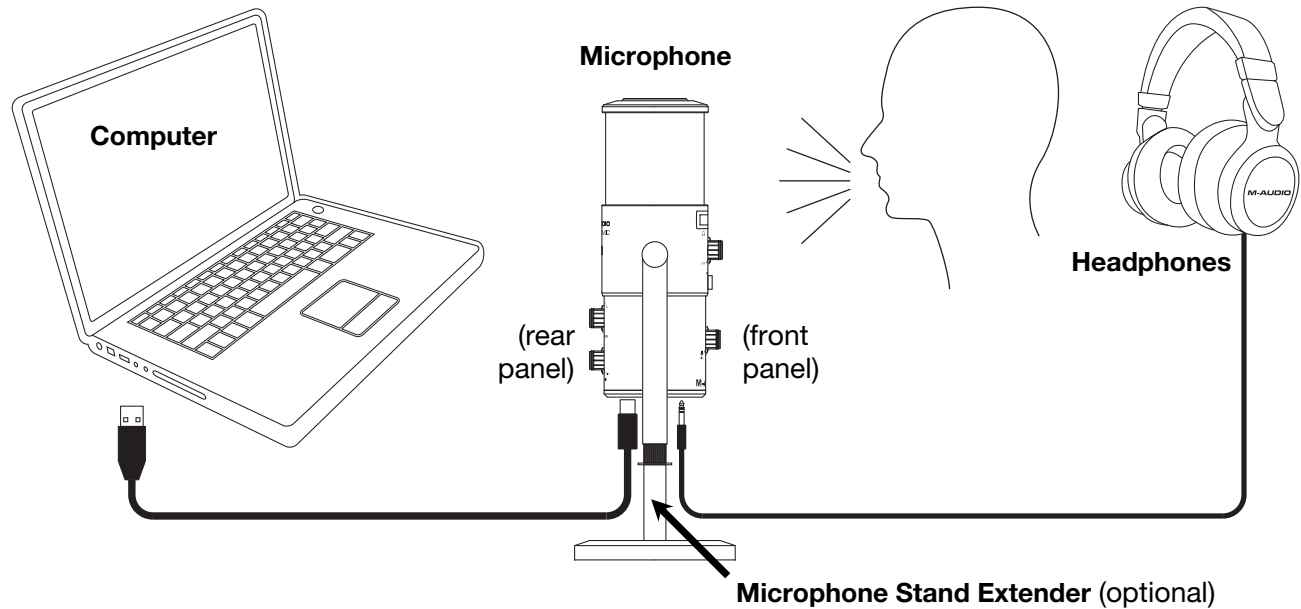
Visit [m-audio.com](http://m-audio.com) to view and download the latest documentation, system requirements, and other information about your product.

For additional product support, visit [m-audio.com/support](http://m-audio.com/support).

## Setup

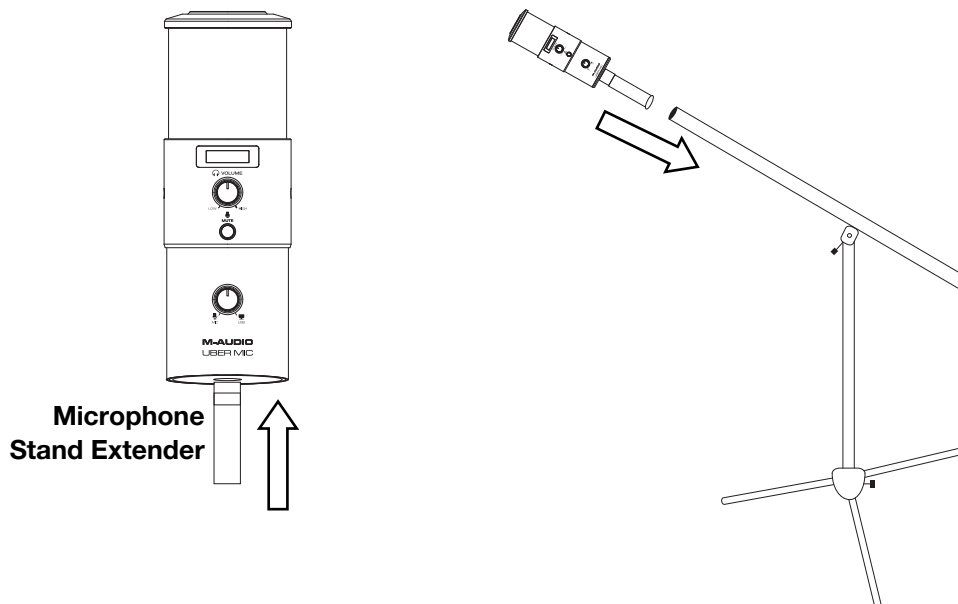
Items not listed under [Introduction > Box Contents](#) are sold separately.

## Connection Diagrams



**Setup with a boom stand:** Connect the included microphone stand extender to Uber Mic's bottom panel threaded mount. Then connect the microphone stand extender to the boom pole mount.

**Note:** When connecting a boom pole to Uber Mic, the mini-USB port may be blocked from use. Use the included microphone stand extender to have extra room to connect the USB cable and headphone cable to Uber Mic. Also, remove the "star" washer as this will also block the USB and headphone ports.



## Quickstart

1. Connect Uber Mic to a USB port on your computer.
2. Set Uber Mic as your default recording and playback device in your computer settings. See the [Audio Setup](#) section for more details.
3. Adjust the **Polar Pattern** selector for the source you are recording. See the [Operation > Polar Patterns](#) section for more details.
4. Set the computer's sound input volume. See the [Operation > Adjusting Audio Settings](#) section for more details.
5. Set the computer's sound output volume. See the [Operation > Adjusting Audio Settings](#) section for more details.
6. Open your favorite voice chat, streaming, podcasting, or recording software. To set up Uber Mic with your software, open your software's **Preferences**, **Device Setup**, or **Options** to configure it to send and receive audio with the Uber Mic. Please consult your software manual for more information.
7. Speak into the microphone and turn the **Mic Gain** knob to adjust the level of the signal that the microphone sends to your computer. Set this knob so the gain is at a "healthy" level but not so high that the signal "clips" or peaks, causing distortion in the audio.
8. Turn the **Headphone Volume** knob to adjust the volume level and listen to the audio signal with headphones connected to Uber Mic's headphone output or use speakers connected to your computer's sound card.
9. Turn the **USB-Mic** knob to adjust the blend of the signals sent to the headphone output. Turn it toward **Mic** to hear more of the microphone signal, or turn it toward **USB** to hear more of your computer's output signal.

## Audio Setup

To set **Uber Mic** as your default recording and playback device, follow the directions below based on your computer's operating system.

### Windows:

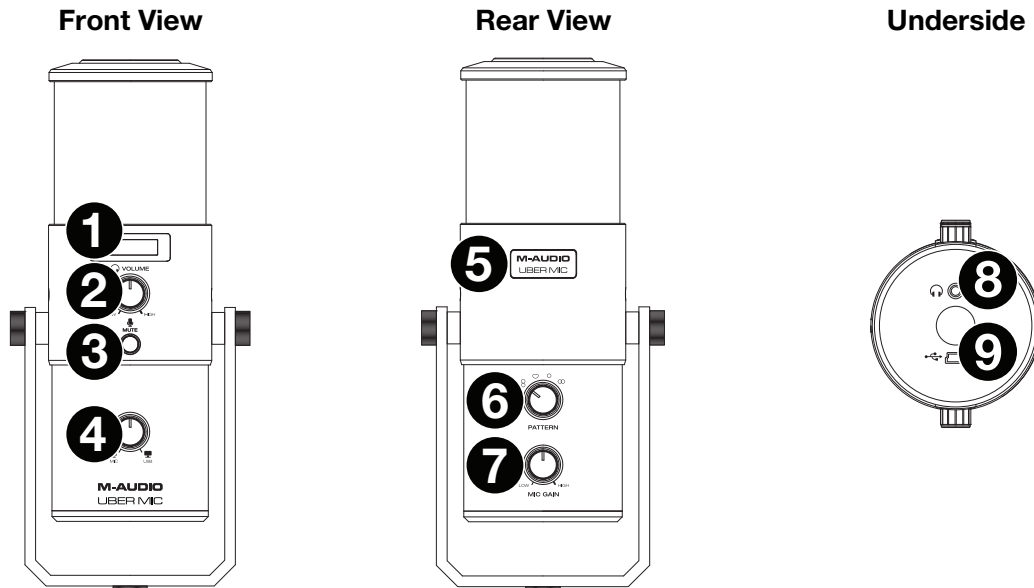
1. Use the included USB cable to connect the Uber Mic to your computer.
2. In the **Taskbar**, locate the **Volume Control** "speaker" icon. Right-click it and select **Playback Devices**.  
Alternatively, go to **Start Menu > Control Panel** (or **Settings > Control Panel** in Classic View) > **Hardware and Sound > Sound**.
3. In the **Windows Sound** control panel, select the **Playback** tab and select **M-Audio Uber Mic** as the default device.
4. Click the **Recording** tab and select **M-Audio Uber Mic** as the default device.
5. Click **Properties** in the lower-right corner.
6. In the new window, click the **Advanced** tab and select **2-channel, 16-bit, 48000 Hz (DVD Quality)** as the default format.
7. Uncheck both boxes under **Exclusive Mode**.
8. Click **OK** to close the Properties window.
9. Click **OK** to close the Sound control panel.

### macOS:

1. Use the included USB cable to connect the Uber Mic to your computer.
2. Go to **Applications > Utilities > Audio MIDI Setup**.
3. In the **Audio Devices** window, select **M-Audio Uber Mic** in the left column.
4. Right-click or press **Ctrl** and click **M-Audio Uber Mic**, and select **Use this device for sound input**.
5. Right-click or press **Ctrl** and click **M-Audio Uber Mic**, and select **Use this device for sound output** (to monitor the mic/computer signals through Uber Mic's headphone output).
6. Quit Audio MIDI Setup.

To set up **Uber Mic** with your software, open your software's **Preferences**, **Device Setup**, or **Options**. This is an important step so that your audio software program can send and receive audio from the Uber Mic. Please consult your software manual for more information.

Features



1. **Display:** This display shows the current polar pattern (**Pattern**) and last setting (**Mic Gain** or **Headphone Volume**) that you adjusted on the microphone.
2. **Headphone Volume:** Turn this knob to adjust the volume of the **headphone output**.
3. **Mute:** Press this button to mute or unmute the microphone signal sent to your computer. This button will flash while muted and be solidly lit while unmuted. (When muted, you will still hear the microphone signal if the **Mic-USB** knob is turned toward **Mic**, but be assured that Uber Mic is not sending audio to your computer.)
4. **Mic-USB:** Turn this knob to adjust the blend of the signals sent to the **headphone output**. Turn it toward **Mic** to hear more of the microphone signal, or turn it toward **USB** to hear more of your computer's output signal.

**Tip:** If you are playing audio on your computer and not using the microphone, we recommend turning this knob fully toward the **USB** setting.

5. **Power Light:** This name badge will illuminate when Uber Mic is powered on.
6. **Pattern Selector:** Turn this knob to select the microphone's polar pattern, which determines how the microphone picks up sound in its surrounding environment. See the following [Operation > Polar Patterns](#) section to learn more about this.
7. **Mic Gain:** Turn this knob to adjust the level of the signal the microphone sends to your computer. Set this knob so the gain is at a "healthy" level but not so high that the signal "clips" or peaks, causing distortion in the audio.

**Note:** "Clipping" is indicated by your software's volume level meter exceeding **0 dB** and usually turning red.

8. **Headphone Output:** Connect 1/8" (3.5 mm) stereo headphones to this output to listen to the audio signal from the microphone and/or your computer. Use the **Headphone Volume** knob to adjust the volume level. Use the **Mic-USB** knob to adjust the blend of the two signals.

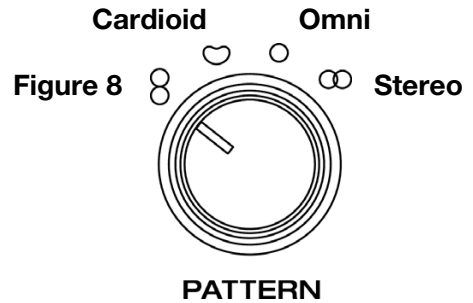
**Note:** When using voice chat applications, do not connect the Headphone output to powered speakers. This can result in an acoustic feedback loop or poor conversation quality.

9. **Mini-USB Port:** Use a standard mini-USB cable (included) to connect this port to a USB port on your computer (if you connect it to a USB hub, make sure it is a powered hub). The computer's USB port provides ample power to Uber Mic. Uber Mic is class-compliant, so you do not need to install any additional drivers.

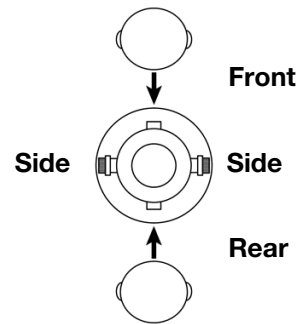
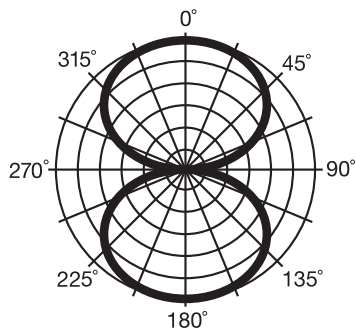
Operation

Polar Patterns

To select the microphone's polar pattern, turn the **Pattern Selector** knob to the desired setting.

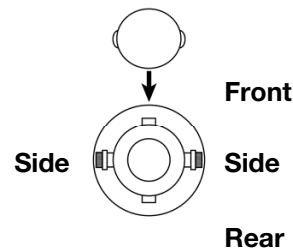
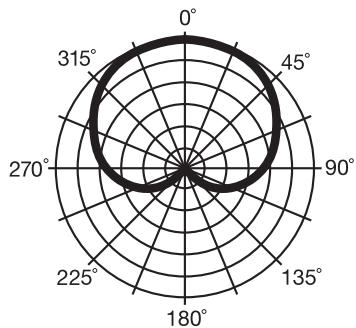


**Figure 8** (bidirectional)



**Bidirectional** means that the microphone picks up sound at the front and rear of the microphone. Sound from the sides of the microphone is not picked up. Use this pattern setting with two or more subjects (one source facing the front of the microphone and the other source facing the back of the microphone) for interviews, instruments, or vocal duets.

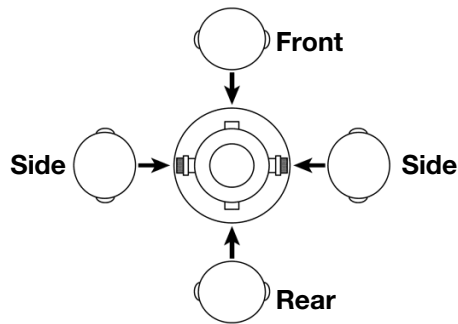
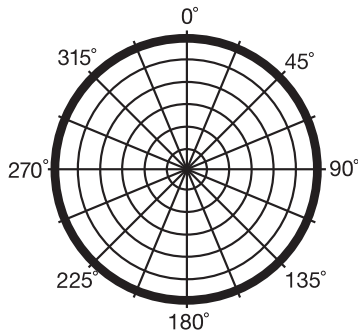
**Cardioid**



**Cardioid** means that the microphone picks up sound directly in front of the microphone. Sound from the sides and rear of the microphone is not picked up. This pattern setting is ideal for use with podcasts, voiceovers, vocals, and instruments.

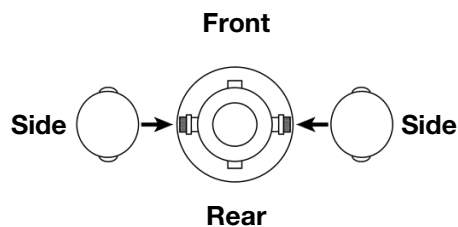
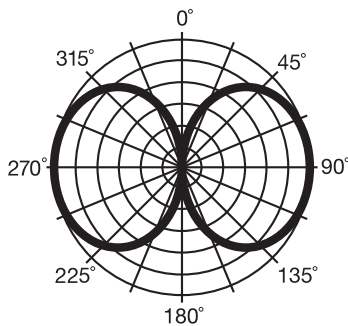


**Omni**



**Omni** means that the microphone picks up sound equally from all directions. Use this pattern setting in situations where you want to capture the ambience of the room. Start by placing the front of the microphone at the primary sound source. This pattern setting is ideal for conference calls, field recordings, or events/orchestra.

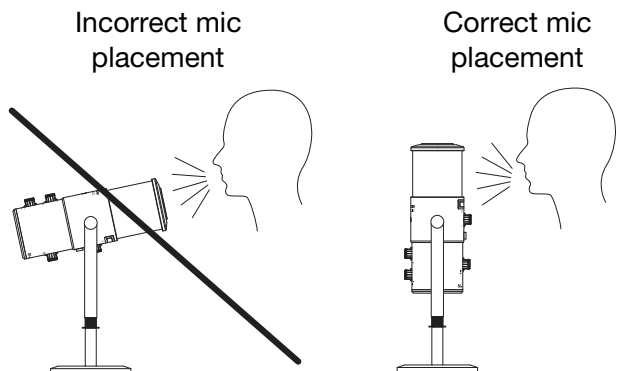
**Stereo**



**Stereo** means that the microphone picks up sound at the left and right sides of the microphone. To start, point the front of the microphone at the sound source, within 2 inches or several feet. Move the sound source to the left or right side of the microphone to get more of the source in either the left or right channel. This pattern setting is ideal for vocals, choir, or instruments. If you are using recording software, set the recording channel as a stereo track (2 channels). This will ensure that your stereo recording is captured properly.

**Microphone Placement**

Uber Mic is a side-address microphone, which receives sound from an angle perpendicular to the mic—as opposed to a front-address mic, which accepts sound from the “end” of the microphone. See the diagrams below for proper mic placement.



## Adjusting Volume Settings

See the steps below for the best order to adjust volume from the different sources when voice chatting, streaming, podcasting, or recording.

1. Turn the **Mic Gain** knob to adjust the level of the signal that is sent to your computer. Set this knob so the gain is at a “healthy” level but not so high that the signal “clips” or peaks, causing distortion in the audio.

**Note:** “Clipping” is indicated by your software’s volume level meter exceeding **0 dB** and usually turning red.

2. Turn the **Headphone Volume** knob to adjust the volume level and listen to the audio signal with headphones connected to Uber Mic’s headphone output or use speakers connected to your computer sound card.
3. Turn the **USB-Mic** knob to adjust the blend of the signals sent to the headphone output. Turn it toward **Mic** to hear more of the microphone signal, or turn it toward **USB** to hear more of your computer’s output signal.
4. Set the computer’s sound input volume:

- **Windows:** In the **Taskbar**, locate the **Volume Control** “speaker” icon. Right-click it and select **Recording Devices**. In the **Windows Sound** control panel, click the **Recording** tab and click **Properties** in the lower-right corner. Click on the **Levels** tab, and adjust the Microphone volume slider to a “healthy” level without distortion.

**Note:** “Clipping” is indicated by your software’s volume level meter exceeding **0 dB** and usually turning red.

- **macOS:** From the **Apple** menu, select **System Preferences**. Select the **Sound** icon. Select the **Input** tab and adjust the input volume to about **80%**. Increase or decrease this setting to get the signal to a “healthy” level without distortion.

**Note:** “Clipping” is indicated by your software’s volume level meter exceeding **0 dB** and usually turning red.

5. Set the computer’s sound output volume:
  - **Windows:** In the **Taskbar**, locate the **Volume Control** “speaker” icon. Right-click it and select **Playback Devices**. In the **Windows Sound** control panel, click the **Playback** tab and click **Properties** in the lower-right corner. Click on the **Levels** tab, and adjust the volume slider to a “healthy” level without distortion.
  - **macOS:** From the **Apple** menu, select **System Preferences**. Select the **Sound** icon. Select the **Output** tab and adjust the volume to **100%**.

## Guía del usuario (Español)

### Introducción

#### Características

- Funcionamiento fácil e intuitivo para cualquier aplicación
- Su respuesta en frecuencia amplia de 30 - 20.000 Hz garantiza un sonido natural y detallado
- Elemento de micrófono condensador de 3 cápsulas, incluyendo estéreo de un solo punto
- Cuatro patrones polares seleccionables para personalizar su grabación ideal
- Patrones polares: cardiode, figura 8, omnidireccional y estéreo
- Conector para auriculares de 3,5 mm (1/8 pulgadas) y amplificador para auriculares interno
- Su control de mezcla USB/directo con control de volumen de micrófono permite una grabación y monitorización con latencia cero
- El control de silenciamiento del micrófono garantiza la privacidad
- Su pantalla LCD muestra el patrón polar y el nivel de control actualmente seleccionado
- Grabación con calidad de estudio y reproducción para brindar una reproducción precisa
- Cómodo montaje para escritorio con inserción roscada para montaje opcional en pie de micrófono
- Su pie integrado se ubica fácilmente en cualquier instalación

#### Contenido de la caja

Uber Mic	Cable mini USB
Soporte integrado del micrófono	Guía del usuario
Alargador del soporte del micrófono	Manual sobre la seguridad y garantía

#### Soporte

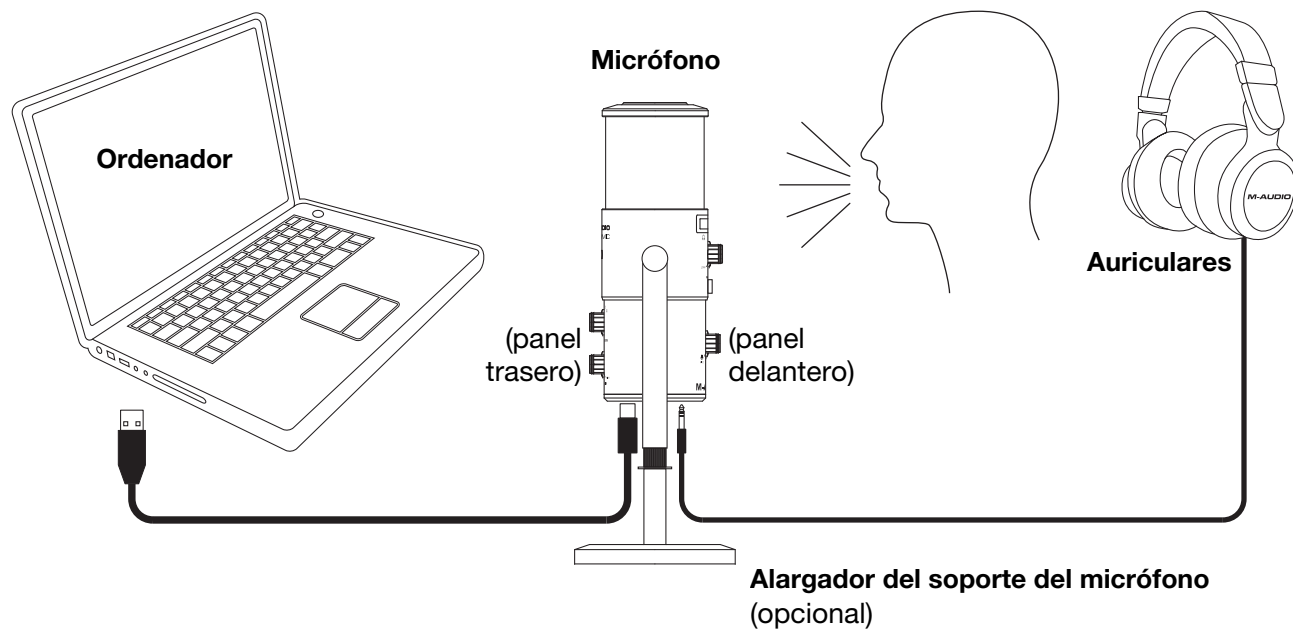
Visite [m-audio.com](http://m-audio.com) para ver y descargar la documentación más reciente, los requisitos del sistema y demás información relativa a su producto.

Para obtener soporte adicional del producto, visite [m-audio.com/support](http://m-audio.com/support).

## Instalación

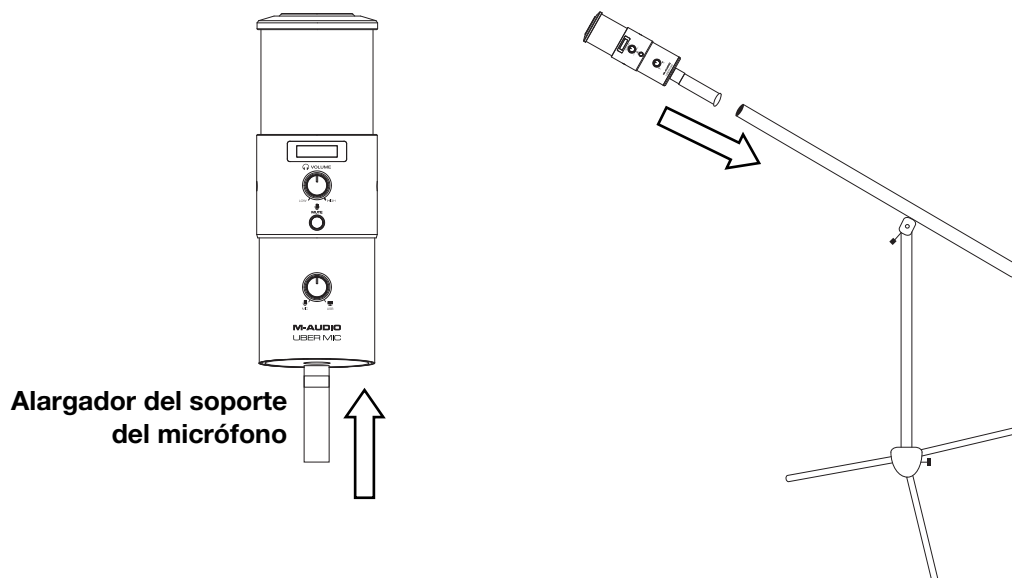
Los elementos que no se enumeran en [Introducción > Contenido de la caja](#) se venden por separado.

### Diagramas de conexión



**Instalación con un soporte de brazo giratorio:** Conecte el alargador del soporte del micrófono incluido al montaje roscado del panel inferior del Uber Mic. Luego conecte el alargador del soporte del micrófono al montaje del brazo giratorio.

**Nota:** Al conectar el brazo giratorio al Uber Mic, el puerto mini USB podría quedar obstruido. Utilice el alargador del soporte del micrófono incluido a fin de crear un espacio adicional para conectar el cable USB y el cable de los auriculares al Uber Mic. Además, retire las arandelas de estrella ya que también obstruirán el puerto USB y el puerto de los auriculares.



## Inicio rápido

1. Conecte el Uber Mic a un puerto USB disponible en su ordenador.
2. Configure el Uber Mic como su dispositivo de grabación y reproducción predeterminado en la configuración de su ordenador. Para más detalles, consulte la sección [Ajuste del audio](#).
3. Ajuste el selector **Polar Pattern** (patrón polar) para la fuente que está grabando. Para más detalles, consulte la sección [Funcionamiento > Patrones polares](#).
4. Ajuste el volumen de entrada de audio de su ordenador. Para más detalles, consulte la sección [Funcionamiento > Cómo modificar los ajustes de volumen](#).
5. Ajuste el volumen de salida de audio de su ordenador. Para más detalles, consulte la sección [Funcionamiento > Cómo modificar los ajustes de volumen](#).
6. Abra su software de chat de voz, streaming, podcasting o grabación favorito. Para configurar su Uber Mic con su software, abra **Preferences** (Preferencias), **Device Setup** (Configuración de dispositivo) u **Options** (Opciones) de su software a fin de configurarlo para enviar y recibir audio mediante el Uber Mic. Para más información, consulte el manual de su software.
7. Hable al micrófono y gire la perilla **Mic Gain** para ajustar el nivel de la señal que el micrófono envía a su ordenador. Ajuste esta perilla de manera que la ganancia este a un nivel “saludable” pero no tan alto que la señal se “recorte” o llegue al pico, causando distorsiones en el audio.
8. Gire la perilla **volumen de los auriculares** para ajustar el nivel de volumen y escuchar la señal de audio con auriculares conectados a la salida para auriculares del Uber Mic o para usar altavoces conectados a la tarjeta de sonido de su ordenador.
9. Gire la perilla **USB-Mic** para ajustar la mezcla de las señales de enviadas a la salida de auriculares. Gírela hacia **Mic** para escuchar más de la señal del micrófono, o gírela hacia **USB** para escuchar más de la señal de salida de su ordenador.

## Ajuste del audio

**Para configurar el Uber Mic como dispositivo de grabación y reproducción predeterminado**, siga las indicaciones que se incluyen a continuación sobre la base del sistema operativo de su ordenador.

### Windows:

1. Use el cable USB incluido para conectar el Uber Mic a su ordenador.
2. En la **barra de tareas**, localice el icono del altavoz que corresponde al **control de volumen**. Haga clic derecho en él y seleccione **Playback Devices** (Dispositivos de reproducción).  
Como alternativa, haga clic en **Start Menu** (menú Inicio) > **Control Panel** (Panel de control) (o **Settings** [Ajustes] > **Control Panel** en la Vista clásica) > **Hardware and Sound** (Hardware y sonido) > **Sound** (Sonido).
3. En el panel de control de **Windows Sound** (Sonido de Windows), seleccione la pestaña **Playback** y seleccione **M-Audio Uber Mic** como dispositivo predeterminado.
4. Haga clic en la pestaña **Recording** (Grabación) y seleccione **M-Audio Uber Mic** como el dispositivo predeterminado.
5. Haga clic en **Properties** (Propiedades) en la esquina inferior derecha.
6. En la nueva ventana, haga clic en la pestaña **Advanced** (Avanzadas) y seleccione **2-channel, 16-bit, 48000 Hz (DVD Quality)** [2 canales, 16 bits, 44100 Hz (calidad de DVD)] como formato predeterminado.
7. Deseleccione ambas casillas debajo de **Exclusive Mode** (Modo exclusivo).
8. Haga clic en **OK** (Aceptar) para cerrar la ventana Properties.
9. Haga clic en **OK** para cerrar el panel de control Sound.

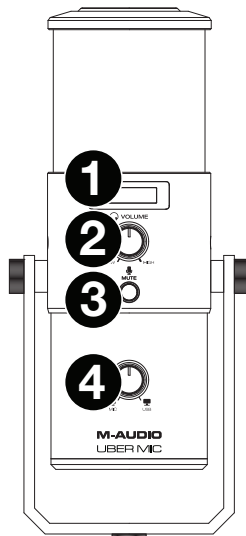
### macOS:

1. Use el cable USB incluido para conectar el Uber Mic a su ordenador.
2. Vaya a **Applications** (Aplicaciones) > **Utilities** (Utilidades) > **Audio MIDI Setup** Configuración de audio MIDI).
3. En la ventana **Audio Devices** seleccione **M-Audio Uber Mic** en la columna izquierda.
4. Haga clic derecho o pulse **Ctrl** y haga clic en **M-Audio Uber Mic** y seleccione **Use this device for sound input** (Utilizar este dispositivo como entrada de sonido).
5. Haga clic derecho o pulse **Ctrl** y haga clic en **M-Audio Uber Mic** y seleccione **Use this device for sound input** (Utilizar este dispositivo como salida de sonido) para monitorizar las señales del micrófono/ordenador a través de la salida para auriculares del Uber Mic.
6. Salga de la configuración MIDI de audio.

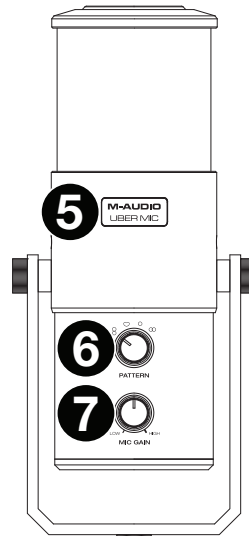
**Para configurar el Uber Mic con su software**, abra **Preferences**, **Device Setup** u **Options** de su software. Este es un paso importante para que su software de audio pueda enviar y recibir audio desde el Uber Mic. Para más información, consulte el manual de su software.

Características

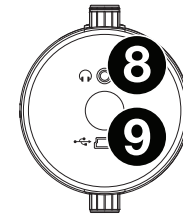
Vista anterior



Vista posterior



Lado inferior



1. **Pantalla:** Esta pantalla muestra el patrón polar actual (**Pattern**) y el último valor (**Mic Gain** o **volumen de los auriculares**) que ajustó en el micrófono.
2. **Volumen de auriculares:** Gire esta perilla para ajustar el volumen de las **salidas para auriculares**.
3. **Mute:** Pulse este botón para silenciar o anular el silenciamiento de la señal del micrófono enviada a su ordenador. Este botón parpadeará mientras esté silenciado y permanecerá encendido cuando no lo esté. (Cuando esté silenciado, aún escuchará la señal del micrófono si se gira la perilla **Mic-USB** hacia **Mic**, pero quédese tranquilo que el Uber Mic no está enviando audio a su ordenador.)
4. **Mic-USB:** Gire esta perilla para ajustar la mezcla de las señales enviadas a la **salida de auriculares**. Gírela hacia **Mic** para escuchar más de la señal del micrófono, o gírela hacia **USB** para escuchar más de la señal de salida de su ordenador.

**Consejo:** Si está reproduciendo audio en su ordenador y no está utilizando el micrófono, le recomendamos girar esta perilla completamente hacia **USB**.

5. **Luz de encendido:** Esta placa de identificación se iluminará cuando se encienda el Uber Mic.
6. **Selector de patrón:** Gire esta perilla para seleccionar el patrón polar del micrófono, el cual determina la manera en la que el micrófono capta el sonido del ambiente que lo rodea. Para aprender más sobre esto, consulte la sección [Funcionamiento > Patrones polares](#).
7. **Mic Gain:** Gire esta perilla para ajustar el nivel de la señal que el micrófono envía a su ordenador. Ajuste esta perilla de manera que la ganancia este a un nivel “saludable” pero no tan alto que la señal se “recorte” o llegue al pico, causando distorsiones en el audio.

**Nota:** El “recorte” es indicado por el medidor de volumen de su software cuando este excede los **0 dB** y por lo general, se vuelve rojo.

8. **Salida para auriculares:** Conecte auriculares estéreo de 3,5 mm (1/8 pulg.) a esta salida para escuchar la señal de audio proveniente del micrófono y/o su ordenador. Gire la perilla de **volumen de auriculares** para ajustar el volumen. Use la perilla **Mic-USB** para ajustar la mezcla de las dos señales.

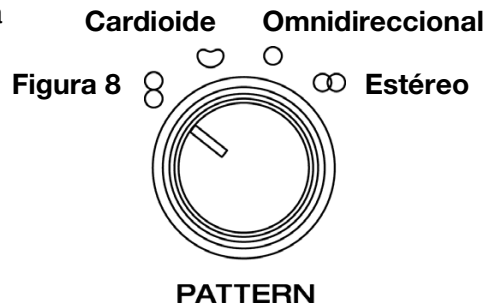
**Nota:** Cuando utilice aplicaciones de chat de voz, no conecte la salida para auriculares a altavoces alimentados. Esto puede generar un bucle de acople acústico o una conversación con mala calidad de sonido.

9. **Puerto mini USB:** Utilice un cable mini USB estándar (incluido) para conectar este puerto a un puerto USB en su ordenador (si lo conecta a un concentrador USB, asegúrese de que sea un concentrador alimentado). El puerto USB del ordenador suministra suficiente alimentación al Uber Mic. El Uber Mic cumple con la clase, por lo que no es necesario instalar drivers adicionales.

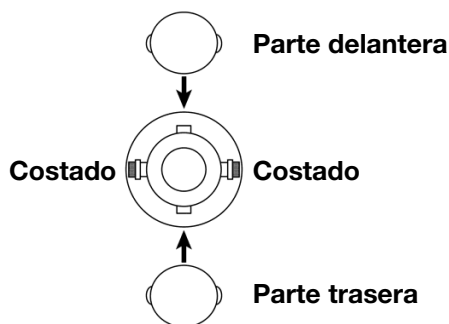
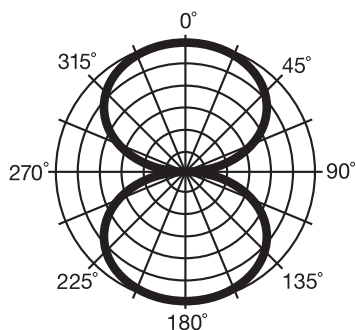
**Funcionamiento**

**Patrones polares**

Para seleccionar el patrón polar del micrófono, gire la perilla **Pattern Selector** hasta el ajuste deseado.

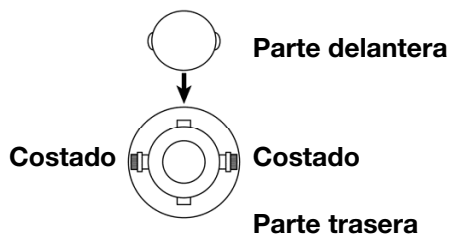
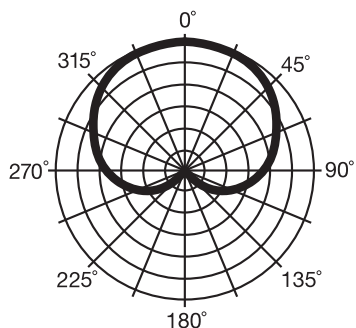


**Figure 8** (bidireccional)



**Bidireccional** significa que el micrófono capta el sonido que se encuentra por delante y por detrás de él. El sonido a los costados del micrófono no se capta. Utilice este ajuste patrón en el caso de dos o más personas (una enfrente del micrófono y otra por detrás del mismo) para entrevistas, instrumentos o duetos vocales.

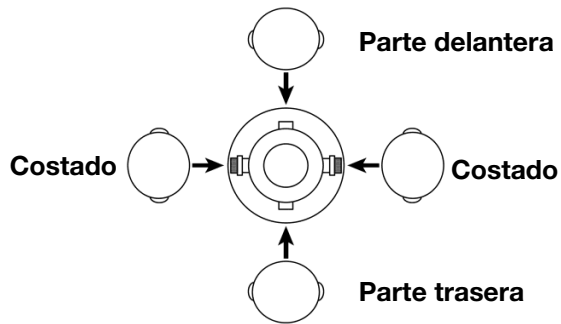
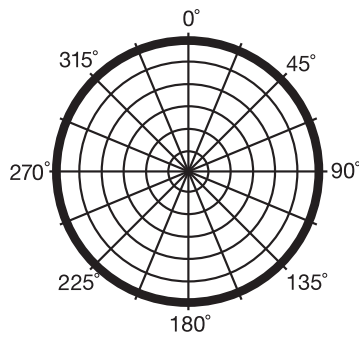
**Cardioid**



**Cardioid** significa que el micrófono capta el sonido que se encuentra directamente por delante de él. El sonido a los costados y por detrás del micrófono no se capta. Este ajuste de patrón es ideal para podcasts, locuciones, voces e instrumentos.

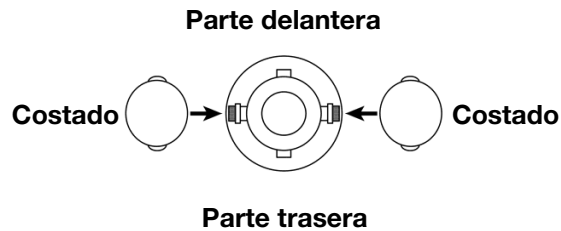
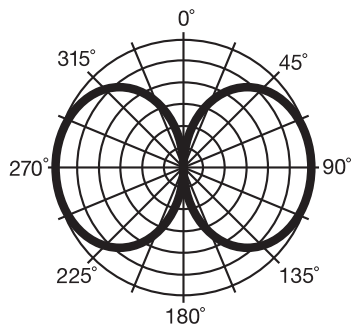


**Omnidireccional**



**Omni** significa que el micrófono capta el sonido por igual desde todas las direcciones. Utilice este ajuste de patrón en situaciones en las que desee captar el sonido ambiente de la sala. Comience orientando la parte delantera del micrófono hacia la fuente de sonido principal. Este ajuste de patrón es ideal para llamadas en conferencia, grabaciones en campo o eventos/orquesta.

**Estéreo**

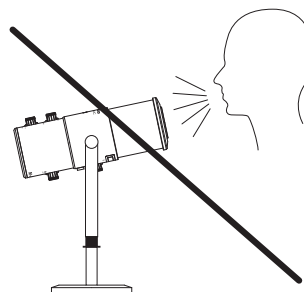


**Estéreo** significa que el micrófono capta el sonido que se encuentra a los costados. Para comenzar, oriente la parte delantera del micrófono hacia la fuente de sonido, a una distancia entre 2 pulgadas o varios pies. Mueva la fuente de sonido hacia el lado izquierdo o derecho de micrófono para captar la mayor parte de la fuente ya sea en el canal izquierdo o derecho. Este ajuste de patrón es ideal para voces, coros o instrumentos. Si está utilizando software de grabación, ajuste el canal de grabación como pista estéreo (2 canales). Esto garantiza que su grabación estéreo será captada correctamente.

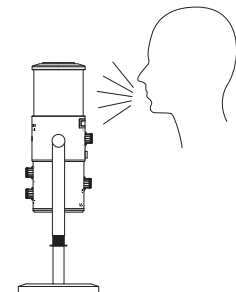
**Ubicación del micrófono**

El Uber Mic es un micrófono de captación lateral, el cual recibe el sonido desde un ángulo perpendicular al micrófono—a diferencia de un micrófono de captación frontal, el cual capta el sonido desde un “extremo” del micrófono. Vea en el siguiente diagrama la ubicación correcta del micrófono.

Ubicación incorrecta del micrófono



Ubicación correcta del micrófono



## Cómo modificar los ajustes de volumen

Consulte en los siguientes pasos el mejor orden para ajustar el volumen de las diferentes fuentes cuando realice conversaciones de voz, streaming, podcasting o grabaciones.

1. Gire la perilla **Mic Gain** para ajustar el nivel de la señal que se envía a su ordenador. Ajuste esta perilla de manera que la ganancia este a un nivel “saludable” pero no tan alto que la señal se “recorte” o llegue al pico, causando distorsiones en el audio.

**Nota:** El “recorte” es indicado por el medidor de volumen de su software cuando este excede los **0 dB** y por lo general, se vuelve rojo.

2. Gire la perilla **volumen de los auriculares** para ajustar el nivel de volumen y escuchar la señal de audio con auriculares conectados a la salida para auriculares del Uber Mic o para usar altavoces conectados a la tarjeta de sonido de su ordenador.
3. Gire la perilla **USB-Mic** para ajustar la mezcla de las señales de enviadas a la salida de auriculares. Gírela hacia **Mic** para escuchar más de la señal del micrófono, o gírela hacia **USB** para escuchar más de la señal de salida de su ordenador.
4. Ajuste el volumen de entrada de audio de su ordenador:

- **Windows:** En la **barra de tareas**, localice el icono del **altavoz** que corresponde al **control de volumen**. Haga clic derecho en él y seleccione **Recording Devices** (Dispositivos de grabación). En el panel de control de **Windows Sound**, haga clic en la pestaña **Recording** y en **Properties** en la esquina inferior derecha. Haga clic en la pestaña **Levels** (Niveles) y ajuste el deslizador de volumen del micrófono a un nivel “saludable” sin distorsión.

**Nota:** El “recorte” es indicado por el medidor de volumen de su software cuando este excede los **0 dB** y por lo general, se vuelve rojo.

- **macOS:** En el menú **Apple**, seleccione **System Preferences** (Preferencias del sistema). Haga clic en el icono **Sound** (Sonido). Seleccione la pestaña **Input** (Entrada) y ajuste el volumen de entrada al **80%** aproximadamente. Aumente o disminuya este ajuste para llevar la señal a un nivel “saludable” sin distorsión.

**Nota:** El “recorte” es indicado por el medidor de volumen de su software cuando este excede los **0 dB** y por lo general, se vuelve rojo.

5. Ajuste el volumen de salida de audio de su ordenador:
  - **Windows:** En la **barra de tareas**, localice el icono del **altavoz** que corresponde al **control de volumen**. Haga clic derecho en él y seleccione **Playback Devices** (Dispositivos de reproducción). En el panel de control de **Windows Sound**, haga clic en la pestaña **Playback** y en **Properties** en la esquina inferior derecha. Haga clic en la pestaña **Levels** (Niveles) y ajuste el deslizador de volumen a un nivel “saludable” sin distorsión.
  - **macOS:** En el menú **Apple**, seleccione **System Preferences** (Preferencias del sistema). Haga clic en el icono **Sound** (Sonido). Seleccione la pestaña de **Output** (Salida) y ajuste el volumen al **100%**.

## Guide d'utilisation (Français)

### Présentation

#### Caractéristiques

- Utilisation simple et intuitive pour toutes les applications
- Réponse en fréquence étendue de 30 à 20 000 Hz assure une reproduction sonore précise naturelle
- Microphone à condensateur à trois capsules, incluant stéréo monopoint
- 4 directivités sélectionnables afin obtenir l'enregistrement idéal
- Directivités : cardioïde, bidirectionnelle, omnidirectionnel et stéréo
- Prise casque 3,5 mm et amplificateur de casque interne
- Commande de mixage USB/directe avec commande de volume microphone pour l'enregistrement et le monitoring direct sans latence
- Commande de mise en sourdine microphone pour préserver l'intimité
- Écran ACL affiche la directivité et le niveau sélectionné
- Enregistrement et lecture de qualité studio pour une reproduction précise
- Embase filetée pour fixation sur support de bureau facultatif
- Support intégré permet de l'ajouter à n'importe quelle installation

#### Contenu de la boîte

Uber Mic	Câble Mini-USB
Tube de rallonge pour support microphone	Guide d'utilisation
Support microphone intégré	Consignes de sécurité et informations concernant la garantie

#### Assistance technique

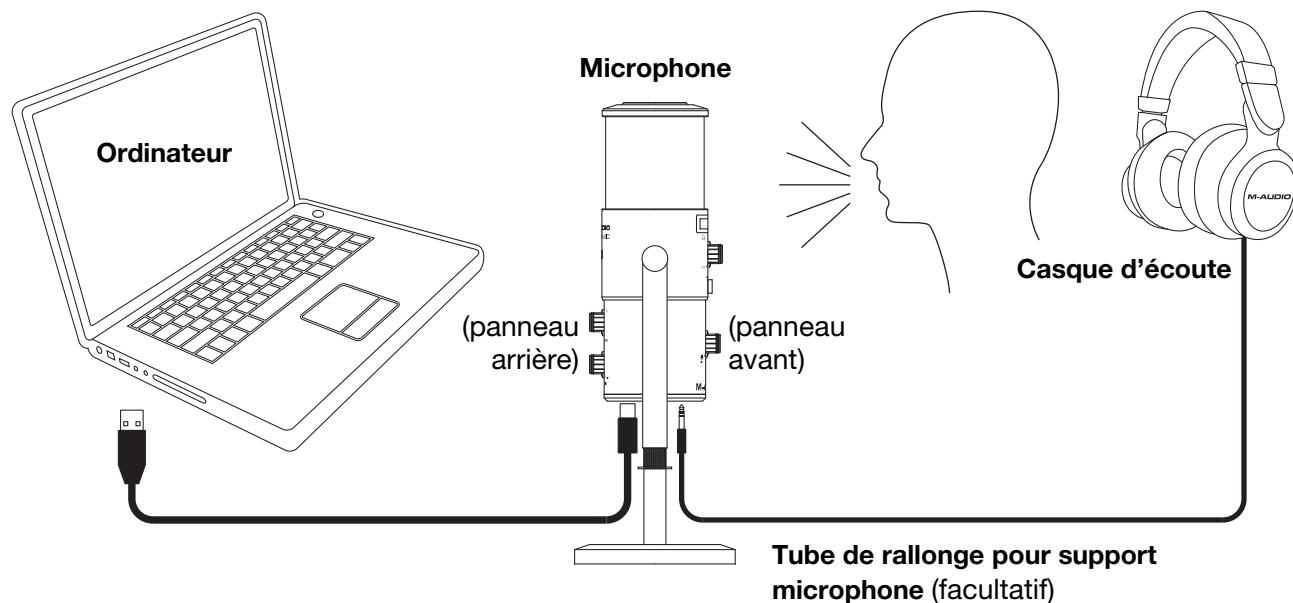
Veillez visiter [m-audio.com](http://m-audio.com) pour consulter et télécharger la documentation la plus récente, la configuration requise et les autres informations sur le produit.

Pour de l'assistance supplémentaire, veuillez visiter le site [m-audio.com/support](http://m-audio.com/support).

## Installation

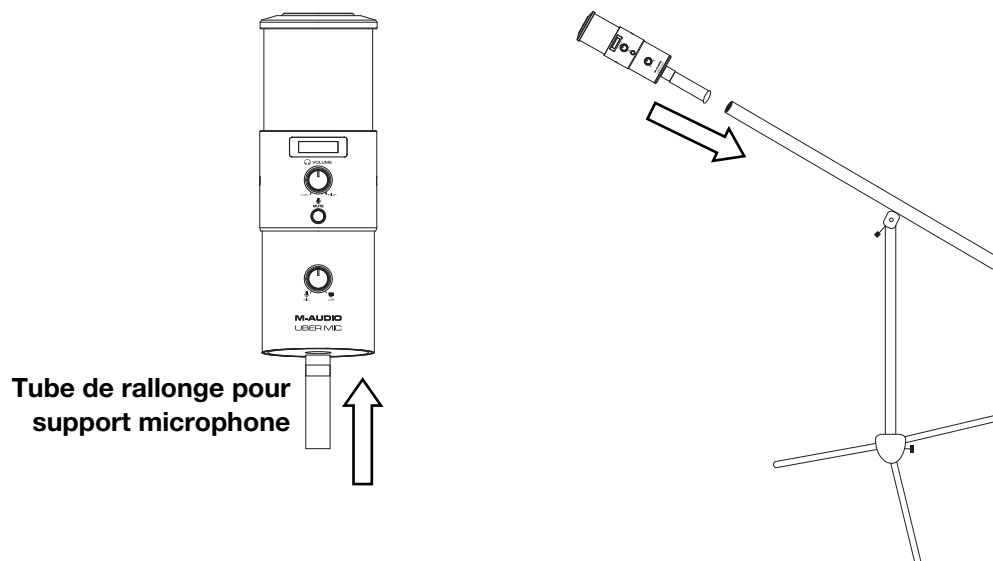
Les articles qui ne figurent pas dans la section **Présentation > Contenu de la boîte** sont vendus séparément.

### Schémas de connexion



**Installation sur trépied à perche :** Vissez le tube de rallonge pour support microphone fourni dans l'embase filetée sur le dessous du Uber Mic. Vissez ensuite le tube de rallonge sur la perche du trépied pour microphone.

**Remarque :** Visser directement le Uber Mic à la perche d'un trépied pourrait bloquer l'accès au port mini-USB. Utiliser le tube de rallonge pour support microphone fourni permet de dégager le port USB du Uber Mic afin de pouvoir brancher le câble USB et le câble du casque d'écoute. Veillez à retirer la rondelle en étoile, car celle-ci bloque également l'accès aux ports USB et casque.



## Mise en route

1. Branchez le Uber Mic au port USB de votre ordinateur.
2. Sélectionnez le Uber Mic comme périphérique d'enregistrement et de lecture audio par défaut dans les paramètres de votre ordinateur. Veuillez consulter la section [Paramètres audio](#) afin d'en savoir plus.
3. Réglez le **sélecteur de directivité** en fonction de la source d'enregistrement. Veuillez consulter la section [Fonctionnement > Directivités](#) afin d'en savoir plus.
4. Réglez le volume d'entrée de l'ordinateur. Veuillez consulter la section [Fonctionnement > Réglage du volume](#) afin d'en savoir plus.
5. Réglez le volume de sortie de l'ordinateur. Veuillez consulter la section [Fonctionnement > Réglage du volume](#) afin d'en savoir plus.
6. Lancez le logiciel que vous utilisez pour le chat audio, le streaming, le podcasting ou pour l'enregistrement. Pour utiliser le Uber Mic avec votre logiciel, vous devez d'abord accéder au menu **Préférences**, **Configuration des périphériques** ou **Options** du logiciel afin de configurer les paramètres audio pour qu'il puisse recevoir et envoyer des signaux audio depuis et vers le Uber Mic. Pour de plus amples informations, veuillez consulter le guide d'utilisation du logiciel.
7. Parlez dans le microphone et tournez le bouton **Mic Gain** pour ajuster le niveau du signal que le microphone envoie à votre ordinateur. Réglez ce bouton afin que le niveau du signal soit raisonnable élevé, mais sans qu'il y ait de l'écrêtage, afin ne pas ajouter de distorsion dans le signal.
8. Tournez le bouton du **volume de la sortie casque** pour ajuster le niveau du volume et écouter le signal audio avec un casque relié à la sortie casque du Uber Mic ou des enceintes connectées à la carte son de votre ordinateur.
9. Tournez le bouton **USB-Mic** afin d'ajuster l'équilibre entre les signaux audio transmis à la sortie casque. Tournez-le vers le réglage **Mic** pour entendre plus le signal provenant du microphone, ou tournez-le vers le réglage **USB** pour entendre plus le signal provenant de l'ordinateur.

## Paramètres audio

**Pour définir le Uber Mic comme périphérique d'enregistrement et de lecture par défaut**, veuillez suivre les instructions ci-dessous, selon le système d'exploitation de votre ordinateur.

### Windows :

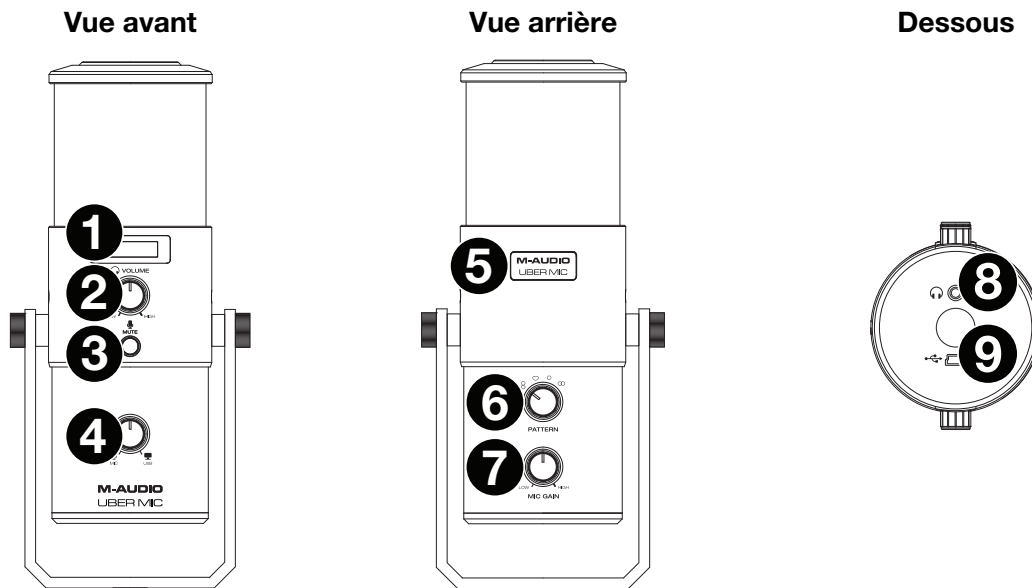
1. Utilisez le câble USB fourni pour brancher le Uber Mic à votre ordinateur.
2. Dans la **barre des tâches**, recherchez l'icône de la **commande de volume** (haut-parleur). Faites un clic droit sur l'icône et sélectionnez **Périphériques de lecture**.  
  
Vous pouvez également cliquer sur **Démarrer** > **Panneau de configuration** (ou **Paramètres** > **Panneau de configuration** en Affichage classique) > **Matériel et audio** > **Son**.
3. Dans le panneau de configuration **Son** de **Windows**, sélectionnez l'onglet **Lecture**, puis sélectionnez **M-Audio Uber Mic** comme le périphérique par défaut.
4. Cliquez sur l'onglet **Enregistrement** et sélectionnez **M-Audio Uber Mic** comme appareil par défaut.
5. Cliquez sur **Propriétés** dans le coin inférieur droit.
6. À partir de la nouvelle fenêtre, cliquez sur l'onglet **Avancé** et sélectionnez l'option **2 canaux, 16 bits, 48 000 Hz (Qualité DVD)** comme le format par défaut.
7. Décochez les deux options sous **Mode exclusif**.
8. Cliquez **OK** pour fermer la fenêtre Propriétés.
9. Cliquez **OK** pour fermer le panneau de configuration Son.

### macOS :

1. Utilisez le câble USB fourni pour brancher le Uber Mic à votre ordinateur.
2. Allez à **Applications** > **Utilitaires** > **Configuration audio et MIDI**.
3. Dans la fenêtre **Périphériques audio** qui s'affiche, sélectionnez **M-Audio Uber Mic** dans la colonne gauche.
4. Faites un clic droit ou appuyez sur **Ctrl** et cliquez sur **M-Audio Uber Mic** et sélectionnez **Utiliser ce périphérique pour l'entrée audio**.
5. Faites un clic droit ou appuyez sur **Ctrl** et cliquez sur **M-Audio Uber Mic** et sélectionnez **Utiliser ce périphérique pour la sortie audio** pour écouter les signaux microphone/ordinateur par le biais de la sortie casque du Uber Mic.
6. Quitter le menu de Configuration audio et MIDI.

**Pour utiliser le Uber Mic avec votre logiciel**, accédez au menu **Préférences**, **Configuration des périphériques** ou **Options** du logiciel. Il s'agit d'une étape importante afin que votre logiciel audio puisse recevoir et envoyer des signaux audio depuis et vers le Uber Mic. Pour de plus amples informations, veuillez consulter le guide d'utilisation du logiciel.

## Caractéristiques



1. **Écran d'affichage** : Cet écran affiche la directivité (**Pattern**) et le réglage (**Mic Gain** ou **volume casque**) du microphone.
2. **Volume de la sortie casque** : Ce bouton permet d'ajuster le volume de la **sortie casque**.
3. **Mute** : Cette touche permet d'activer et de désactiver la mise en sourdine du signal microphone envoyé à l'ordinateur. Ce bouton clignote lorsque la mise en sourdine est activée et demeure allumé lorsqu'elle est désactivée. (Lorsque la mise en sourdine est activée et que le bouton **Mic-USB** est réglé sur **Mic**, vous pouvez toujours entendre le signal microphone, cependant, le Uber Mic n'envoie pas de signal à l'ordinateur.)
4. **Mic-USB** : Ce bouton permet d'ajuster l'équilibre entre les signaux transmis à la **sortie casque**. Tournez-le vers le réglage **Mic** pour entendre plus le signal provenant du microphone, ou tournez-le vers le réglage **USB** pour entendre plus le signal provenant de l'ordinateur.

**Astuce** : Si vous faites la lecture de musique sur votre ordinateur et que vous n'utilisez pas le microphone, nous recommandons de régler ce bouton sur **USB**.

5. **Indicateur d'alimentation** : Cette plaque s'allume lorsque le Uber Mic est mis sous tension.
6. **Sélecteur de directivité** : Ce bouton permet de sélectionner la directivité du microphone, qui détermine comment le microphone capte les sons environnants. Veuillez consulter la section [Fonctionnement > Directivités](#) afin d'en savoir plus.
7. **Mic Gain** : Ce bouton permet d'ajuster le volume du signal que le microphone transmet à l'ordinateur. Réglez ce bouton afin que le niveau du signal soit raisonnable élevé, mais sans qu'il y ait de l'écrêtage, afin ne pas ajouter de distorsion dans le signal.

**Remarque** : Généralement, la présence d'écrêtage est signalée par le vumètre du volume lorsque les niveaux dépassent **0 dB** et qu'il devient rouge.

8. **Sortie casque** : Un casque d'écoute stéréo 3,5 mm peut être branché à cette sortie afin d'écouter l'audio provenant du microphone et/ou de l'ordinateur. Utilisez le bouton du **volume de la sortie casque** pour régler les niveaux de la sortie. Utilisez le bouton **Mic-USB** pour ajuster l'équilibre entre les deux signaux.

**Remarque** : Lors de l'utilisation d'applications de chat audio, veillez à ne pas brancher la sortie casque à des enceintes amplifiées, car cela pourrait entraîner une boucle de rétroaction ou diminuer la qualité du signal.

9. **Port mini-USB** : Utilisez le câble mini-USB standard fourni pour relier ce port au port USB d'un ordinateur. Si vous utilisez un concentrateur USB, veillez à ce qu'il soit alimenté. Le port USB de l'ordinateur fournit amplement de puissance au Uber Mic. Le Uber Mic est doté d'une connexion USB prête à l'utilisation et ne requiert donc pas l'installation de pilotes.

Directivités

Pour sélectionner la directivité du microphone, tournez le sélecteur de directivité au réglage désiré.

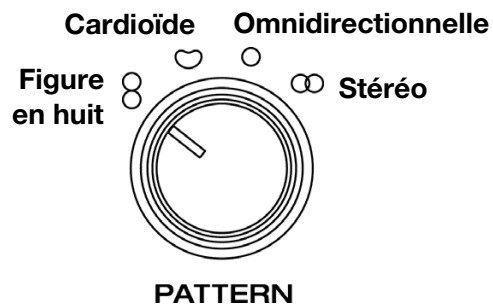
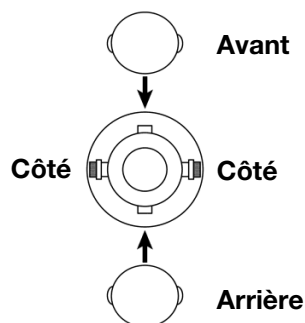
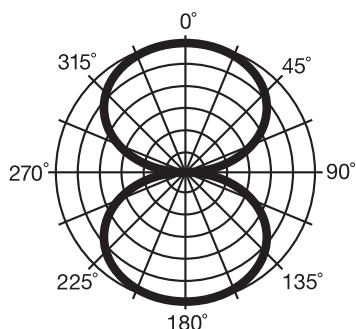
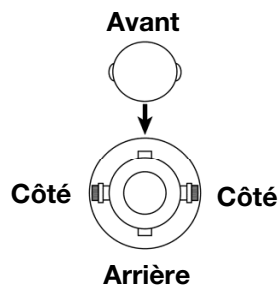
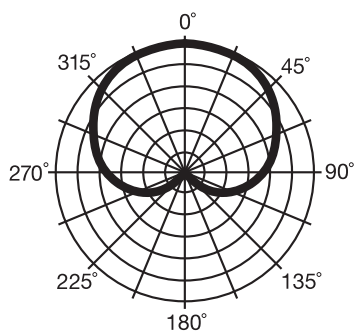


Figure en huit (bidirectionnelle)



Le microphone **bidirectionnel** capte les sons situés devant et derrière lui. Les sons provenant des côtés ne sont pas captés. Cette directivité est idéale lorsqu'il a deux sujets ou plus (une source à l'avant du microphone et l'autre à l'arrière) comme pour les entretiens, lorsqu'il y a des instruments ou pour les duos.

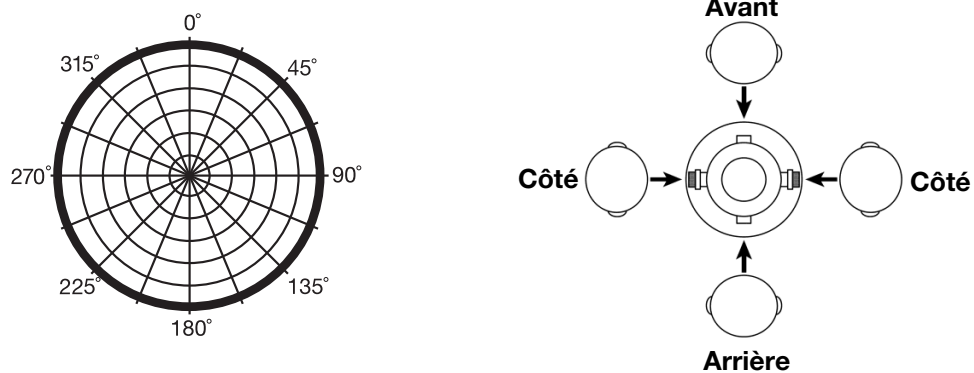
Cardioïde



Le microphone **cardioïde** capte les sons situés directement devant lui. Les sons provenant des côtés et de l'arrière ne sont pas captés. Cette directivité est idéale pour les podcasts, les voix hors-champ, les voix et les instruments.

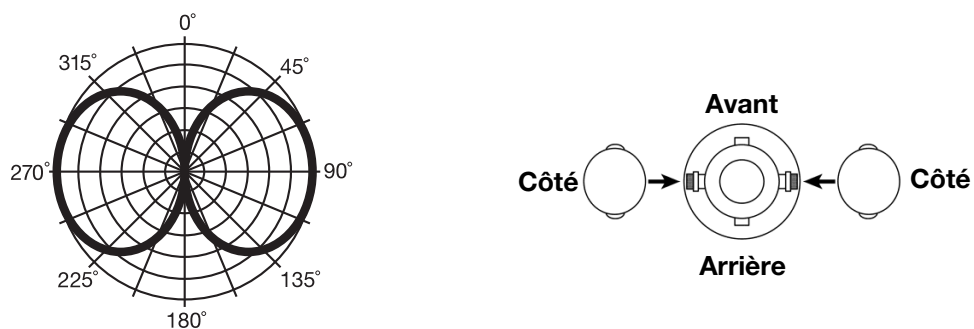


## Omnidirectionnelle



Le microphone **omnidirectionnel** capte les sons de toutes les directions. Cette directivité est utilisée pour capturer l'ambiance de la salle. Commencez par orienter l'avant du microphone vers la source audio principale. Cette directivité est idéale pour les téléconférences, les enregistrements extérieurs, lors d'événements ou pour les orchestres.

## Stéréo

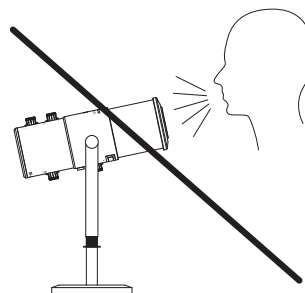


Le microphone **stéréo** capte les sons provenant des côtés. Commencez par orienter l'avant du microphone vers la source audio, de 5 cm à plusieurs centimètres. Déplacez la source audio du côté gauche ou droit du microphone afin de pouvoir capter plus de signaux dans le canal gauche ou dans le canal droit. Cette directivité est idéale pour les voix, les chorales et les instruments. Si vous utilisez un logiciel d'enregistrement, réglez le canal de l'enregistrement pour une piste stéréo (2 canaux). Ceci garantira que votre enregistrement stéréo est correctement capté.

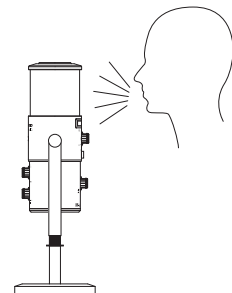
## Positionnement du microphone

Le Uber Mic est un microphone à capture latéral, qui capte les sons sous un angle perpendiculaire au microphone, par opposition à un microphone qui capte les sons par l'extrémité du microphone. Veuillez consulter les schémas ci-dessous pour le positionnement du microphone.

Positionnement incorrect du microphone



Positionnement correct du microphone



## Réglage du volume

Veillez suivre les étapes ci-dessous dans l'ordre afin de régler le volume des différentes sources utilisées pour le chat audio, le streaming, le podcasting ou l'enregistrement.

1. Tournez le bouton **Mic Gain** pour régler le niveau du signal qui est envoyé à l'ordinateur. Réglez ce bouton afin que le niveau du signal soit raisonnable élevé, mais sans qu'il y ait de l'écrêtage, afin ne pas ajouter de distorsion dans le signal.

**Remarque** : Généralement, la présence d'écrêtage est signalée par le vumètre du volume lorsque les niveaux dépassent **0 dB** et qu'il devient rouge.

2. Tournez le bouton du **volume de la sortie casque** pour ajuster le niveau du volume et écouter le signal audio avec un casque relié à la sortie casque du Uber Mic ou des enceintes connectées à la carte son de votre ordinateur.
3. Tournez le bouton **USB-Mic** afin d'ajuster l'équilibre entre les signaux audio transmis à la sortie casque. Tournez-le vers le réglage **Mic** pour entendre plus le signal provenant du microphone, ou tournez-le vers le réglage **USB** pour entendre plus le signal provenant de l'ordinateur.
4. Réglez le volume d'entrée audio de l'ordinateur :

- **Windows** : Dans la **barre des tâches**, recherchez l'icône de la **commande de volume** (haut-parleur). Faites un clic droit sur l'icône et sélectionnez **Périphériques d'enregistrement**. Dans le panneau de configuration **Son Windows**, sélectionnez l'onglet **Enregistrement** et cliquez sur **Propriétés** dans le coin inférieur droit. Cliquez sur l'onglet **Niveaux** et réglez la barre de défilement **Microphone** afin que le niveau du signal soit raisonnable élevé, mais sans qu'il y ait de l'écrêtage.

**Remarque** : Généralement, la présence d'écrêtage est signalée par le vumètre du volume lorsque les niveaux dépassent **0 dB** et qu'il devient rouge.

- **macOS** : Cliquez sur l'icône Apple dans la barre de menu et sélectionnez **Préférences système**. Cliquez sur l'icône **Son**. Cliquez l'onglet **Entrée** et réglez la barre de défilement **Entrée volume** à **80 %**. Augmentez ou diminuez ce paramètre afin que le niveau du signal soit raisonnable élevé, mais sans qu'il y ait de l'écrêtage.

**Remarque** : Généralement, la présence d'écrêtage est signalée par le vumètre du volume lorsque les niveaux dépassent **0 dB** et qu'il devient rouge.

5. Réglez le volume de sortie audio de l'ordinateur :
  - **Windows** : Dans la **barre des tâches**, recherchez l'icône de la **commande de volume** (haut-parleur). Faites un clic droit sur l'icône et sélectionnez **Périphériques de lecture**. Dans le panneau de configuration **Son Windows**, sélectionnez l'onglet **Lecture** et cliquez sur **Propriétés** dans le coin inférieur droit. Cliquez sur l'onglet **Niveaux** et réglez la barre de défilement **Microphone** afin que le niveau du signal soit raisonnable élevé, mais sans qu'il y ait de l'écrêtage.
  - **macOS** : Cliquez sur l'icône **Apple** dans la barre de menu et sélectionnez **Préférences système**. Cliquez sur l'icône **Son**. Cliquez l'onglet **Sortie** et réglez la barre de défilement **Sortie volume** à **100 %**.

## Guida per l'uso (Italiano)

### Introduzione

#### Caratteristiche

- Uso facile e intuitivo per qualsiasi applicazione
- Ampia risposta di frequenza da 30–20.000 Hz per un suono naturale e dettagliato
- Elemento microfono a condensatore a 3 capsule, incluso stereo a punto singolo
- 4 pattern polari selezionabili per personalizzare la propria registrazione ideale
- Pattern polari: cardioide, a 8, omnidirezionale e stereo
- Jack cuffie da 3,5 mm (1/8") e amplificatore cuffie interno
- Il controllo di mixaggio USB/diretto con controllo del volume del microfono consente una registrazione e un monitoraggio a latenza zero
- Il comando di silenziamento del microfono garantisce la riservatezza
- Il display LCD mostra il pattern polare e il livello di controllo attualmente selezionato
- Registrazione e riproduzione di qualità da studio per una riproduzione precisa
- Comodo montaggio su desktop con inserto filettato per un montaggio opzionale su stand
- Lo stand integrato si adatta facilmente a qualsiasi impianto

#### Contenuti della confezione

Uber Mic	Cavo mini USB
Supporto per microfono integrato	Guida per l'uso
Prolunga per supporto microfono	Manuale di sicurezza e garanzia

#### Assistenza

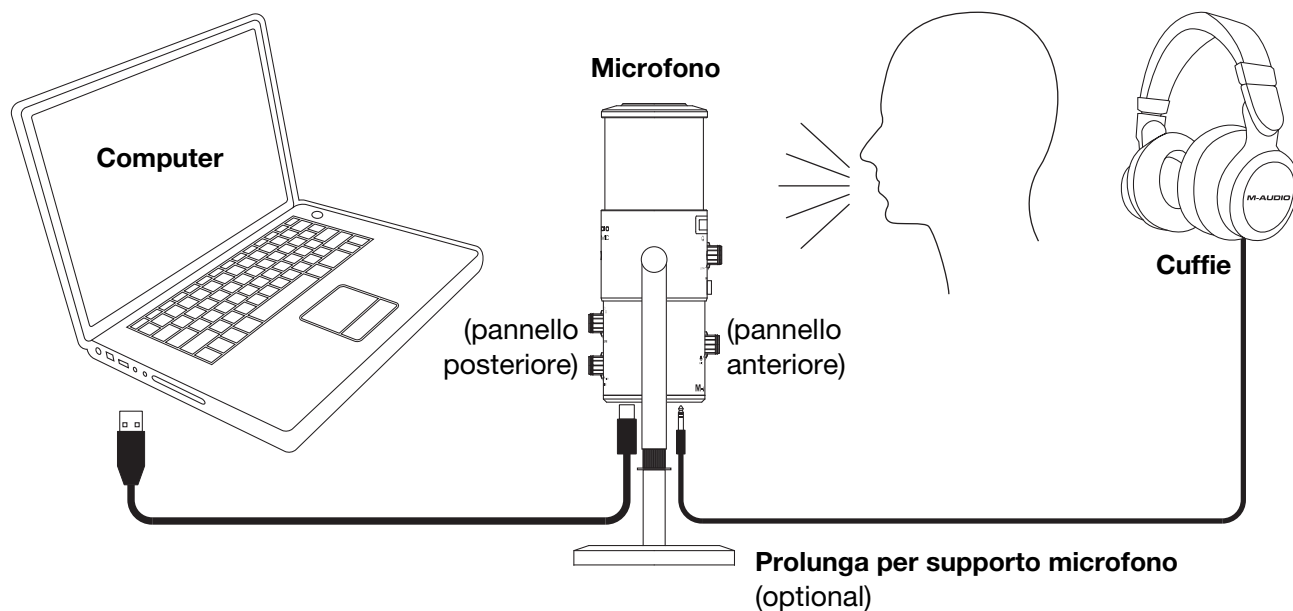
Recarsi alla pagina [m-audio.com](http://m-audio.com) per visualizzare e scaricare la documentazione più recente, requisiti di sistema e altre informazioni in merito a questo prodotto.

Per ulteriore assistenza sul prodotto, recarsi alla pagina [m-audio.com/support](http://m-audio.com/support).

## Configurazione

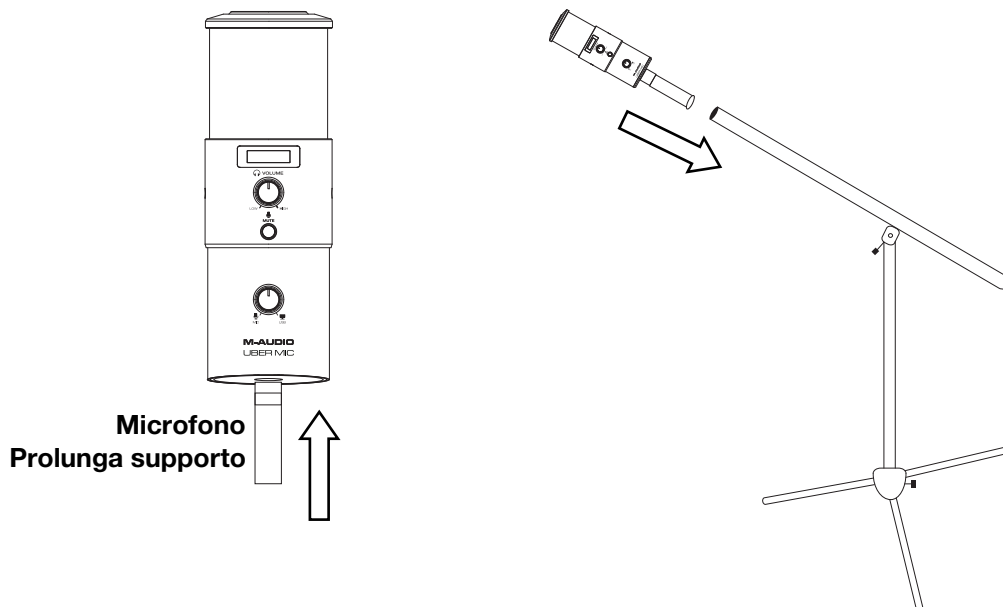
Elementi non elencati sotto [Introduzione](#) > [Contenuti della confezione](#) sono venduti separatamente.

## Schema dei collegamenti



**Configurazione con un supporto a braccio:** Collegare la prolunga per il supporto microfono in dotazione al dispositivo di montaggio filettato a livello del pannello inferiore dell'Uber Mic. Quindi collegare la prolunga per il supporto microfono al dispositivo di montaggio dell'asta a giraffa.

**Nota bene:** quando si collega un'asta a giraffa all'Uber Mic, la porta mini USB potrebbe essere bloccata. Servirsi della prolunga per il supporto microfono in dotazione per ottenere spazio in più per collegare il cavo USB e il cavo cuffie all'Uber Mic. Inoltre, rimuovere la rondella a stella in quanto blocca a sua volta le porte USB e microfono.



## Guida rapida

1. Collegare l'Uber Mic ad una porta USB disponibile sul computer.
2. Configurare l'Uber Mic come dispositivo predefinito di registrazione e riproduzione nelle impostazioni del computer. Per maggiori informazioni, si veda il paragrafo [Configurazione audio](#).
3. Regolare il selettore del **Pattern Polare** per la fonte che si sta registrando. *Si veda il paragrafo [Operazione > Pattern Polari](#) per maggiori dettagli.*
4. Configurare il volume dell'ingresso audio del computer. Per maggiori informazioni, si veda il paragrafo [Operazione > Regolazione delle impostazioni del volume](#).
5. Configurare il volume dell'uscita audio del computer. Per maggiori informazioni, si veda il paragrafo [Operazione > Regolazione delle impostazioni del volume](#).
6. Aprire il proprio software preferito di chat vocale, streaming, podcast o registrazione. Per configurare l'Uber Mic con il proprio software, aprire la scheda **Preferiti**, **Impostazioni** o **Opzioni** del software stesso per configurarlo in modo da ricevere e inviare audio con Uber Mic. Per maggiori informazioni, consultate il manuale del vostro software.
7. Parlare al microfono e girare la manopola **Mic Gain** per regolare il livello di segnale inviato dal microfono al computer. Impostare questa manopola in modo che il gain sia a un livello "sano", ma non un livello tale da provocare "salti" o picchi, causando distorsione dell'audio.
8. Girare la manopola **Volume cuffie** per regolare il livello del volume e ascoltare il segnale audio con le cuffie collegate all'uscita cuffie dell'Uber Mic o servirsi di altoparlanti collegati alla scheda audio del computer.
9. Girare la manopola **USB-Mic** per regolare la miscela dei segnali inviati all'uscita cuffie. Girarla su **Mic** per sentire maggiormente il segnale del microfono o su **USB** per sentire soprattutto il segnale di uscita del computer.

## Configurazione audio

Per configurare l'Uber Mic come dispositivo di registrazione e riproduzione predefinito, seguire le indicazioni seguenti, basandosi sul proprio sistema operativo.

### Windows:

1. Servirsi del cavo USB in dotazione per collegare l'Uber Mic al computer.
2. Nella **Barra delle applicazioni**, individuare l'icona "Speaker" di **controllo del Volume**. Fare clic col tasto destro del mouse e selezionare **Dispositivi di riproduzione**.  
Alternativamente, recarsi sul **menu Start > Pannello di controllo (o Impostazioni > Pannello di controllo nella vista Classica) > Hardware e suoni > Suoni**.
3. Nel pannello di controllo **Audio** di Windows, selezionare la scheda **Riproduzione** e selezionare l'**M-Audio Uber Mic** come dispositivo predefinito.
4. Cliccare sulla scheda **Registrazione** e selezionare M-Audio Uber Mic come periferica predefinita.
5. Cliccare su **Proprietà** nell'angolo inferiore destro.
6. Nella nuova finestra, cliccare sulla scheda **Avanzate** e selezionare **2 canali, 16-bit, 48000 Hz (qualità da DVD)** come formato predefinito.
7. Togliere il segno di spunta da entrambe le caselle in **Modalità esclusiva**.
8. Cliccare su **OK** per chiudere la finestra Proprietà.
9. Cliccare su **OK** per chiudere il pannello di controllo Audio.

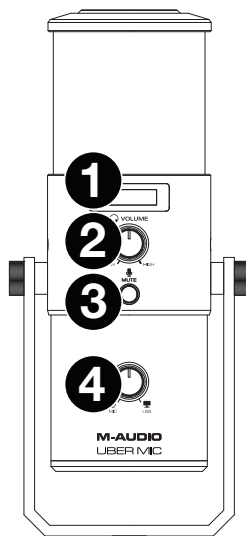
### macOS:

1. Servirsi del cavo USB in dotazione per collegare l'Uber Mic al computer.
2. Recarsi su **Applicazioni > Utilità > Audio MIDI Setup**.
3. Nella finestra **Audio Devices** (dispositivi audio), selezionare **M-Audio Uber Mic** nella colonna a sinistra.
4. Fare clic col tasto destro o premere **Ctrl** e cliccare su M-Audio Uber Mic, e selezionare **Usa questo dispositivo per l'ingresso audio**.
5. Fare clic col tasto destro o premere **Ctrl** e cliccare su **M-Audio Uber Mic** e selezionare **Usa questo dispositivo per l'ingresso audio** (per monitorare i segnali mic/computer tramite l'uscita cuffie dell'Uber Mic).
6. Lasciare Audio Midi Setup.

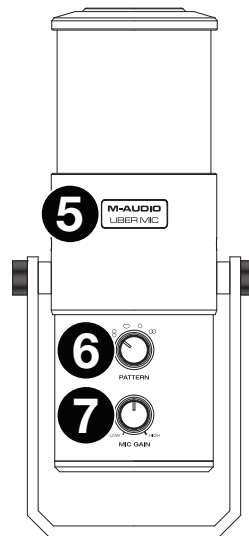
Per configurare l'Uber Mic con il software, aprire le schede **Preferiti, Impostazioni o Opzioni** del software. Questo è un passaggio importante affinché il software audio possa inviare e ricevere audio dall'Uber Mic. Per maggiori informazioni, consultate il manuale del vostro software.

## Caratteristiche

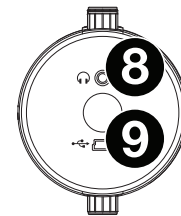
Vista anteriore



Vista posteriore



Lato inferiore

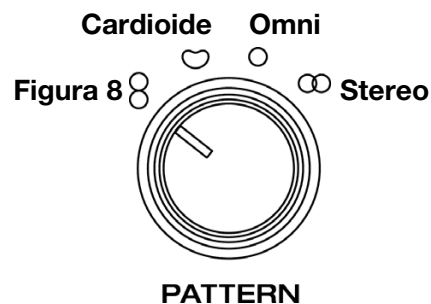


1. **Display:** questo display mostra il pattern polare corrente (Pattern) e l'ultima configurazione (**Mic Gain** o **Volume cuffie**) regolata sul microfono.
2. **Volume cuffie:** girare questa manopola per regolare il volume dell'**uscita cuffie**.
3. **Mute:** premere questo tasto per silenziare o annullare il silenziamento del segnale microfono inviato al computer. Questo tasto lampeggia quando è silenziato e sarà illuminato in maniera costante quando il silenziamento è annullato. (Quando silenziato, si sente ancora il segnale del microfono se la manopola **Mic-USB** è girata verso Mic, ma l'Uber Mic non invia audio al computer.)
4. **Mic-USB:** girare questa manopola per regolare la miscela dei segnali inviati all'**uscita cuffie**. Girarla su **Mic** per sentire maggiormente il segnale del microfono o su **USB** per sentire soprattutto il segnale di uscita del computer.  
**Suggerimento:** se si riproduce audio sul computer e non si utilizza il microfono, si consiglia di girare questa manopola interamente verso **USB**.
5. **Spia di alimentazione:** questa targhetta si illumina quando l'Uber Mic è acceso.
6. **Selettore di pattern:** girare questa manopola per selezionare il pattern polare del microfono, che determina il modo in cui il microfono acquisisce il suono nell'ambiente circostante. Si veda il paragrafo **Operazione > Pattern polari** per saperne di più.
7. **Mic Gain:** girare questa manopola per regolare il livello del segnale inviato dal microfono al computer. Impostare questa manopola in modo che il gain sia a un livello "sano", ma non un livello tale da provocare "salti" o picchi, causando distorsione dell'audio.  
**Nota bene:** i "tagli" sono indicati dal misuratore di volume del software che supera **0 dB** e solitamente diventa rosso.
8. **Uscita cuffie:** collegare cuffie stereo standard da 1/8" (3,5 mm) a questa uscita per ascoltare il segnale audio proveniente dal microfono e/o dal computer. Servirsi della manopola **volume cuffie** per regolare il volume. Servirsi della manopola **Mic-USB** per regolare la miscela dei due segnali.  
**Nota bene:** quando si utilizzano applicazioni per chat vocali, non collegare l'uscita cuffie agli altoparlanti. Si può creare un loop di feedback acustico o una scarsa qualità nella conversazione.
9. **Porta mini USB:** servirsi di un cavo mini USB standard (in dotazione) per collegare questa porta a una porta USB sul computer (se si collega a un hub USB, assicurarsi che sia un hub alimentato). La porta USB del computer fornirà l'alimentazione all'Uber Mic. L'Uber Mic è un dispositivo compatibile, quindi non occorre installare ulteriori driver.

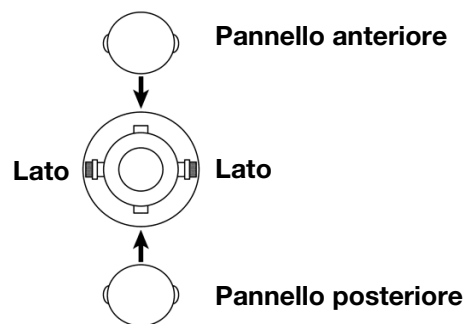
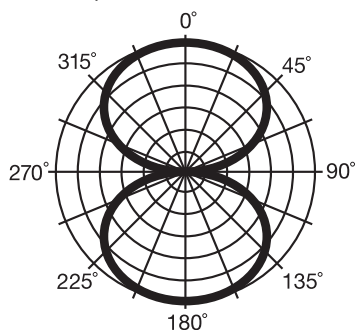
**Operazione**

**Pattern polari**

Per selezionare il pattern polare del microfono, girare la manopola **Pattern Selector** sull'impostazione desiderata.

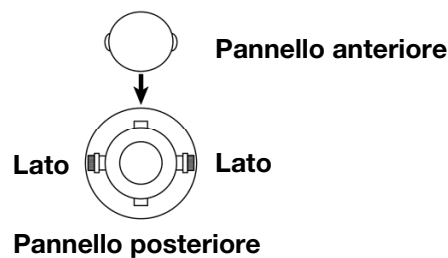
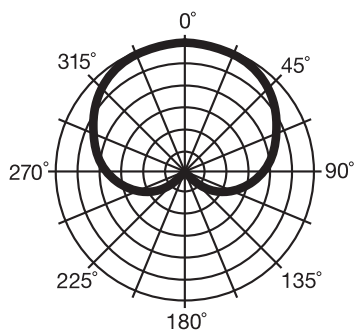


**Figure 8** (bidirezionale)



**Bidirezionale** significa che il microfono acquisisce suoni dalla parte anteriore e posteriore del microfono stesso. I suoni provenienti dai lati del microfono non vengono acquisiti. Servirsi di questa impostazione di pattern con due o più soggetti (una fonte di fronte al microfono e l'altra rivolta verso il retro del microfono stesso) per interviste, strumenti o duetti.

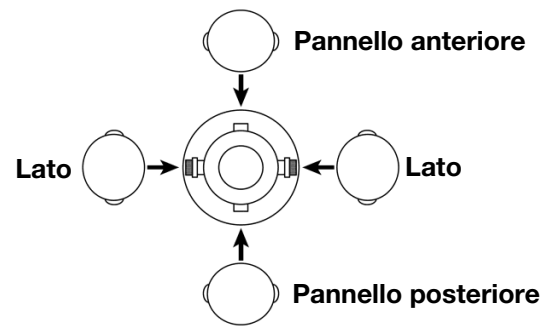
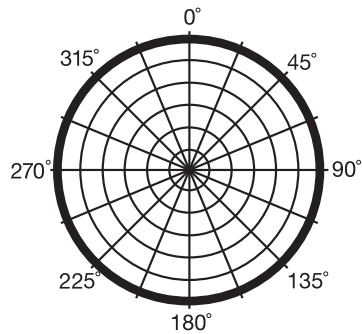
**Cardioide**



**Cardioide** significa che il microfono acquisisce suoni direttamente dalla parte anteriore del microfono stesso. I suoni provenienti dai lati e dalla parte posteriore del microfono non vengono acquisiti. Questa impostazione è ideale per podcast, voci fuori campo, voci e strumenti.

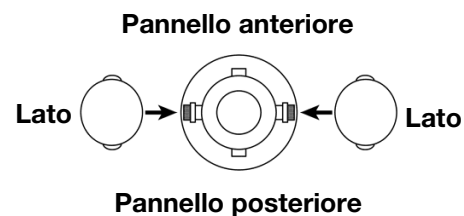
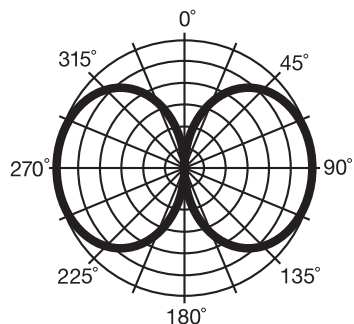


## Omni



**Omni** significa che il microfono acquisisce suoni da tutte le direzioni. Servirsi di questa impostazione quando si desidera captare l'ambiente della sala. Iniziare collocando la parte anteriore del microfono rivolta verso la fonte audio principale. Questa impostazione è ideale per videoconferenze, registrazioni sul campo o eventi/orchestra.

## Stereo

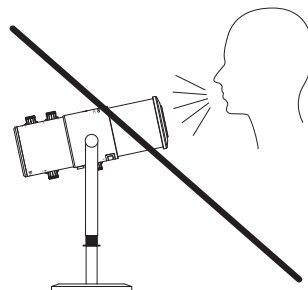


**Stereo** significa che il microfono acquisisce suoni dai lati sinistro e destro del microfono stesso. Per iniziare, puntare la parte anteriore del microfono verso la fonte audio, entro 5 cm o vari metri. Muovere la fonte audio verso sinistra o verso destra per ottenere più fonte nel canale sinistro o destro. Questa impostazione è ideale per voci, cori o strumenti. Se si utilizza un software di registrazione, impostare il canale di registrazione come traccia stereo (2 canali). Ciò garantisce che la registrazione stereo sia captata adeguatamente.

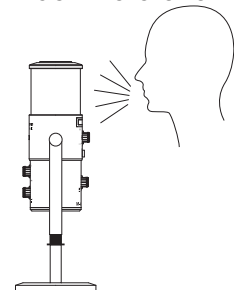
## Collocamento del microfono

L'Uber Mic è un microfono a direzionamento laterale che riceve audio da un'angolazione perpendicolare al mic — i microfoni frontali accettano il suono dall'estremità del microfono. Si vedano gli schemi qui di seguito per il corretto posizionamento del microfono.

Posizionamento errato del microfono



Posizionamento corretto del microfono



## Regolazione delle impostazioni del volume

Si vedano i passaggi seguenti per l'ordine migliore per regolare il volume delle varie fonti quando si chatta, si effettua lo streaming, un podcast o una registrazione.

1. Girare la manopola **Mic Gain** per regolare il livello del segnale inviato al computer. Impostare questa manopola in modo che il gain sia a un livello "sano", ma non un livello tale da provocare "salti" o picchi, causando distorsione dell'audio.

**Nota bene:** i "tagli" sono indicati dal misuratore di volume del software che supera **0 dB** e solitamente diventa rosso.

2. Girare la manopola **Volume cuffie** per regolare il livello del volume e ascoltare il segnale audio con le cuffie collegate all'uscita cuffie dell'Uber Mic o servirsi di altoparlanti collegati alla scheda audio del computer.
3. Girare la manopola **USB-Mic** per regolare la miscela dei segnali inviati all'uscita cuffie. Girarla su **Mic** per sentire maggiormente il segnale del microfono o su **USB** per sentire soprattutto il segnale di uscita del computer.
4. Configurare il volume dell'ingresso audio del computer.

- **Windows:** nella **Barra delle applicazioni**, individuare l'icona "Speaker" di **controllo del Volume**. Fare clic col tasto destro del mouse e selezionare **Dispositivi di registrazione**. Nel pannello di controllo **Audio** di **Windows**, fare clic sulla scheda **Registrazione** e poi su **Proprietà** nell'angolo inferiore destro. Cliccare sulla scheda **Livelli** e regolare il cursore del **volume del Microfono** su un livello "sano" senza distorsione.

**Nota bene:** i "tagli" sono indicati dal misuratore di volume del software che supera **0 dB** e solitamente diventa rosso.

- **macOS:** dal menu **Apple**, selezionare **System Preferences**. Selezionare l'icona **Sound**. Cliccare sulla scheda **Ingresso** e regolare il **Volume d'ingresso** circa sull'**80%**. Alzare o abbassare questa impostazione per ottenere un segnale "sano" senza distorsione.

**Nota bene:** i "tagli" sono indicati dal misuratore di volume del software che supera **0 dB** e solitamente diventa rosso.

5. Configurare il volume dell'uscita audio del computer:
  - **Windows:** nella **Barra delle applicazioni**, individuare l'icona "Speaker" di **controllo del Volume**. Fare clic col tasto destro del mouse e selezionare **Dispositivi di riproduzione**. Nel pannello di controllo **Audio** di **Windows**, fare clic sulla scheda **Riproduzione** e poi su **Proprietà** nell'angolo inferiore destro. Cliccare sulla scheda **Livelli** e regolare il cursore del volume su un livello "sano" senza distorsione.
  - **macOS:** dal menu **Apple**, selezionare **System Preferences**. Selezionare l'icona **Sound**. Selezionare a scheda **Uscita** e regolare il **Volume** circa su **100%**.

# Benutzerhandbuch (Deutsch)

## Einführung

### Funktionen

- Einfache, intuitive Bedienung für jede Anwendung
- Weiter 30-20.000Hz-Frequenzgang bietet detaillierten, natürlichen Klang
- 3-Kapsel-Kondensatormikrofonelement inkl. Single-Point-Stereo
- 4 wählbare Richtcharakteristiken für die ideale Aufnahme
- Richtcharakteristiken: Nierenförmig, Achter-Charakteristik, omnidirektional und stereo
- 6,35 mm Kopfhöreranschluss und interner Kopfhörerverstärker
- USB/Direktmischregelung mit Mikrofonregler ermöglicht latenzfreies Aufnehmen und Monitoring
- Mikrofonstummschaltung sorgt für Privatsphäre
- Die LCD-Anzeige zeigt die Richtcharakteristik und die aktuell ausgewählte Steuerebene
- Aufnahme und Wiedergabe in Studio-Qualität für eine akkurate Wiedergabe
- Bequeme Tischmontage mit Gewindeeinsatz für die optionale Standmontage
- Integrierter Stand passt problemlos in jedes Setup

### Lieferumfang

Über Mic	Mini-USB-Kabel
Integrierter Mikrofonständer	Benutzerhandbuch
Mikrofonständererweiterung	Sicherheitshinweise und Garantieinformationen

### Kundendienst

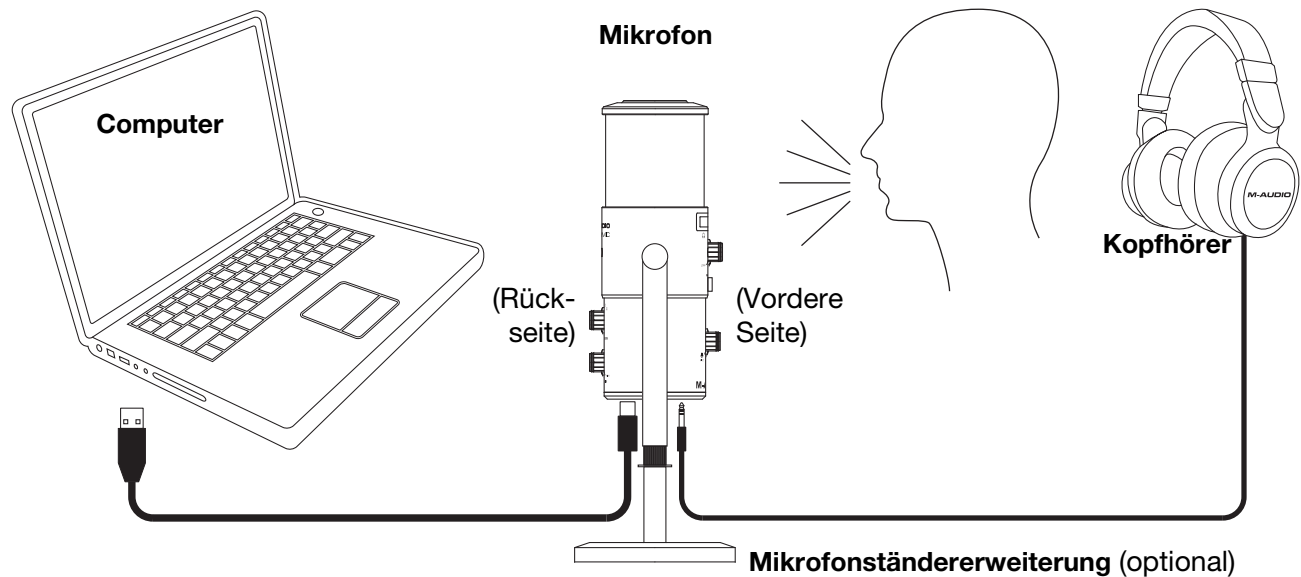
Besuchen Sie [m-audio.com](http://m-audio.com), um die neuesten Dokumente, Systemanforderungen und andere Informationen zu Ihrem Produkt anzuzeigen und herunterzuladen.

Um weitere Unterstützung zu Ihrem Produkt zu erhalten, besuchen Sie [m-audio.com/support](http://m-audio.com/support).

## Setup

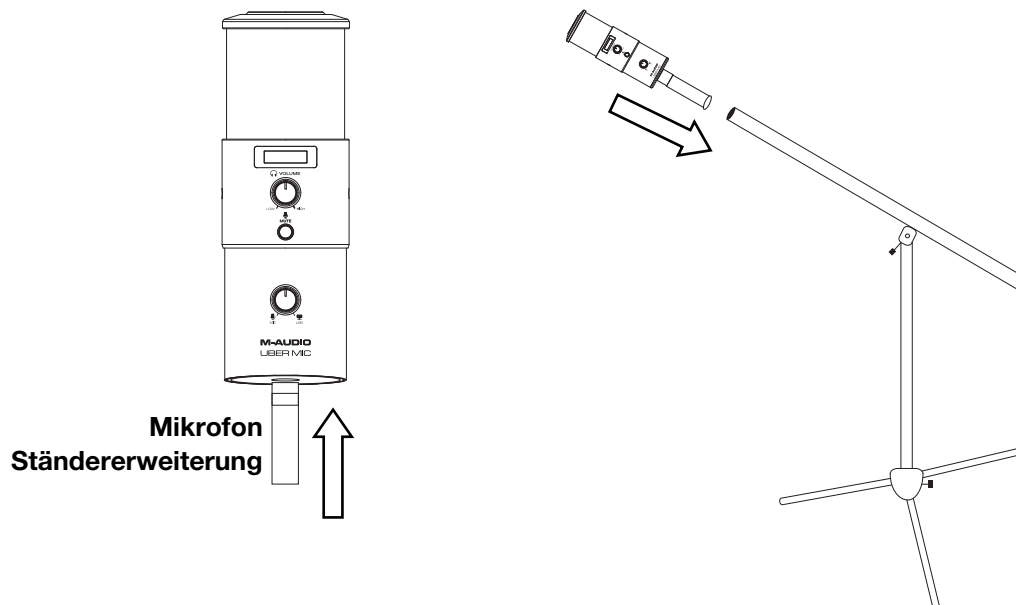
Teile, die nicht unter **Einführung > Lieferumfang** angegeben sind, sind separat erhältlich.

## Anschlussübersicht



**Einrichten mit einem Auslegerständer:** Verbinden Sie die mitgelieferte Mikrofonständererweiterung mit der Schraubbefestigung des Über Mic an der Unterseite. Verbinden Sie dann die Mikrofonständererweiterung mit der Auslegerstange.

**Hinweis:** Beim Anbringen einer Tonangel am Über Mic kann es sein, dass der Mini-USB-Port blockiert wird. Verwenden Sie die mitgelieferte Mikrofonständererweiterung, um zusätzlichen Platz zu schaffen, damit Sie das USB-Kabel und das Kopfhörerkabel an Ihr Über Mic anschließen können. Entfernen Sie auch die Scheibe, da diese ebenfalls die USB- und Kopfhöreranschlüsse blockiert.



## Schnellstart

1. Verbinde Uber Mic mit einem USB-Port am Computer.
2. Stellen Sie Uber Mic als Standard-Aufnahme- und Wiedergabegerät in Ihren Computereinstellungen ein. Weitere Informationen finden Sie im Abschnitt [Audio-Setup](#).
3. Passen Sie den Wahlschalter für die **Richtcharakteristik** an die aufzunehmende Quelle an. Nähere Informationen finden Sie im Abschnitt [Betrieb > Richtcharakteristiken](#).
4. Stellen Sie die Eingangslautstärke des Computers ein. Weitere Informationen finden Sie im Abschnitt [Betrieb > Anpassen der Laustärkeeinstellungen](#).
5. Stellen Sie die Ausgangslautstärke des Computers ein. Weitere Informationen finden Sie im Abschnitt [Betrieb > Anpassen der Laustärkeeinstellungen](#).
6. Öffnen Sie Ihre bevorzugte Voice-Chat-, Streaming-, Podcasting- oder Aufnahme-Software. Um Uber Mic mit Ihrer Software einzurichten, öffnen Sie die **Einstellungen**, **Geräteeinrichtung** oder **Optionen** Ihrer Software, um sie zum Senden und Empfangen von Audiodaten mit dem Uber Mic zu konfigurieren. Weitere Informationen finden Sie in Ihrem Software-Handbuch.
7. Sprechen Sie in das Mikrofon und drehen Sie den **Mic Gain**-Regler, um den Pegel des Signals einzustellen, das das Mikrofon an Ihren Computer sendet. Stellen Sie diesen Regler so ein, dass die Verstärkung auf einem „gesunden“ Pegel ist, aber nicht so hoch, dass das Signal „clippt“ oder Spitzenwerte erreicht, was zu Verzerrungen im Audiosignal führt.
8. Drehen Sie den **Kopfhörer**-Lautstärkeregler, um die Lautstärke einzustellen und hören Sie sich das Audiosignal mit dem Kopfhörer an, der an den Kopfhörerausgang des Uber Mic angeschlossen ist oder verwenden die an die Soundkarte des Computers angeschlossenen Lautsprecher.
9. Drehen Sie den **USB-Mic**-Regler, um den Signal-Mix der an den Kopfhörerausgang gesendeten Signale einzustellen. Drehen Sie in Richtung **Mic**, um mehr vom Mikrofonsignal zu hören oder in Richtung **USB**, um mehr von Ihrem Computer-Ausgangssignal zu hören.

## Audio-Setup

Um **Uber Mic als Standard-Aufnahme- und Wiedergabegerät** einzustellen, folgen Sie den Anweisungen unten je nach Betriebssystem Ihres Computers.

### Windows:

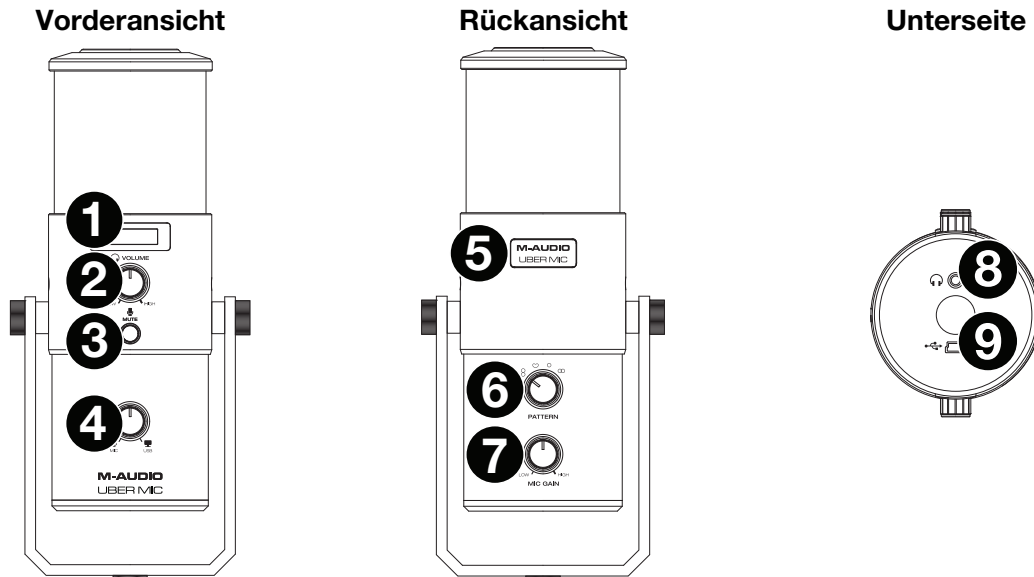
1. Schließen Sie Ihr Uber Mic mit dem mitgelieferten USB-Kabel an Ihren Computer an.
2. Suchen Sie das **Lautsprechersymbol für die Lautstärke** in der **Taskleiste**. Klicken Sie mit der rechten Maustaste auf den Lautsprecher und wählen **Wiedergabegeräte**.  
Wahlweise klicken Sie auf **Startmenü > Systemsteuerung** (oder **Einstellungen > Systemsteuerung** in der klassischen Ansicht) > **Hardware und Sound > Sound**.
3. Wählen Sie im **Windows Sound**-Bedienfeld die Registerkarte **Wiedergabe** und wählen **M-Audio Uber Mic** als Standardgerät.
4. Klicken Sie auf die Registerkarte **Aufnahme** und wählen **M-Audio Uber Mic** als Standard-Gerät aus.
5. Klicken Sie in der rechten unteren Ecke auf **Eigenschaften**.
6. Klicken Sie im neuen Fenster auf die Registerkarte **Erweitert** und wählen **Sie 2-Kanal, 16 Bit, 48000 Hz (DVD-Qualität)** als Standardformat aus.
7. Deaktivieren Sie beide Kontrollkästchen unter **Exklusivmodus**.
8. Klicken Sie auf **OK**, um das Fenster Eigenschaften zu schließen.
9. Klicken Sie auf **OK**, um das Fenster Sound zu schließen.

### macOS:

1. Schließen Sie Ihr Uber Mic mit dem mitgelieferten USB-Kabel an Ihren Computer an.
2. Wählen Sie **Anwendungen > Dienstprogramme > Audio-MIDI-Setup**.
3. Wählen Sie im Fenster **Audiogeräte** in der linken Spalte **M-Audio Uber Mic** aus.
4. Klicken Sie mit der rechten Maustaste oder drücken Sie **Strg** und klicken auf **M-Audio Uber Mic**. Wählen Sie dann **Dieses Gerät für Soundeingabe verwenden**.
5. Klicken Sie mit der rechten Maustaste oder drücken Sie **Strg** und klicken Sie auf **M-Audio Uber Mic**. Wählen Sie dann **Dieses Gerät für Soundeingabe verwenden** (um die Mikrofon-/Computersignale des Uber Mic über den Kopfhörerausgang zu überwachen).
6. Schließen Sie das Fenster Audio-MIDI-Setup.

Um **Uber Mic mit Ihrer Software einzurichten**, öffnen Sie die **Einstellungen, Geräteeinrichtung** oder **Optionen** Ihrer Software. Dies ist ein wichtiger Schritt, damit Ihr Audio-Software-Programm Audio von der Uber Mic senden und empfangen kann. Weitere Informationen finden Sie in Ihrem Software-Handbuch.

## Funktionen



1. **Display:** Diese Anzeige zeigt die aktuelle Richtcharakteristik (**Pattern**) und die letzte Einstellung (**Mic Gain** oder **Kopfhörerlautstärke**), die Sie am Mikrofon eingestellt haben.
2. **Kopfhörerlautstärke:** Mit diesem Regler stellen Sie die **Kopfhörerlautstärke** ein.
3. **Mute:** Drücken Sie diese Taste, um das an Ihren Computer gesendete Mikrofonsignal stummzuschalten oder zu deaktivieren. Diese Taste blinkt während der Stummschaltung und leuchtet, wenn die Stummschaltung deaktiviert ist. (Während der Stummschaltung hören Sie immer noch das Mikrofonsignal, wenn der **Mic-USB**-Regler auf **Mic** gedreht ist. Beachten Sie jedoch, dass Uber Mic kein Audiosignal an Ihren Computer sendet.)
4. **Mic-USB:** Drehen Sie diesen Regler, um den Signal-Mix einzustellen, der an den **Kopfhörerausgang** gesendet wird. Drehen Sie in Richtung **Mic**, um mehr vom Mikrofonsignal zu hören oder in Richtung **USB**, um mehr von Ihrem Computer-Ausgangssignal zu hören.

**Tipp:** Wenn Sie Audio auf Ihrem Computer abspielen und das Mikrofon nicht benutzen, empfehlen wir Ihnen, diesen Regler vollständig in Richtung **USB-Einstellung** zu drehen.

5. **Power-LED:** Dieses Namensschild leuchtet, wenn Uber Mic eingeschaltet ist.
6. **Wahlschalter für Richtcharakteristik:** Drehen Sie diesen Regler, um die Richtcharakteristik des Mikrofons auszuwählen, die bestimmt, wie das Mikrofon den Klang in seiner Umgebung aufnimmt. Weitere Informationen hierzu finden Sie im Abschnitt **Betrieb > Richtcharakteristiken**.
7. **Mic Gain:** Drehen Sie diesen Regler, um den Pegel des Signals einzustellen, das das Mikrofon an Ihren Computer sendet. Stellen Sie diesen Regler so ein, dass die Verstärkung auf einem „gesunden“ Pegel ist, aber nicht so hoch, dass das Signal „clipp“ oder Spitzenwerte erreicht, was zu Verzerrungen im Audiosignal führt.

**Hinweis:** „Clipping“ wird durch den Pegelmessers in Ihrer Software angezeigt, der **0 dB** überschreitet und normalerweise rot wird.

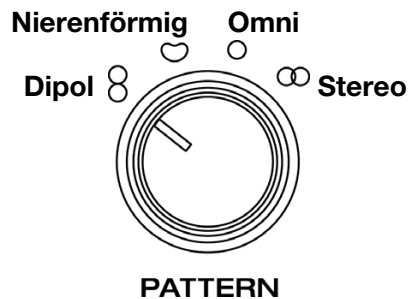
8. **Kopfhörerausgang:** Schließen Sie 3,5 mm Stereokopfhörer an diesen Ausgang an, um das Audiosignal vom Mikrofon und/oder vom Computer zu hören. Stellen Sie die Lautstärke mit dem **Kopfhörerpegelregler** ein. Verwenden Sie den **Mic-USB**-Regler, um den Mix der beiden Signale anzupassen.

**Hinweis:** Bei Verwendung von Voice-Chat-Anwendungen darf der Kopfhörerausgang nicht an die Lautsprecher angeschlossen werden. Dies kann zu einer akustischen Rückkopplungsschleife oder einer schlechten Sprachverständlichkeit führen.

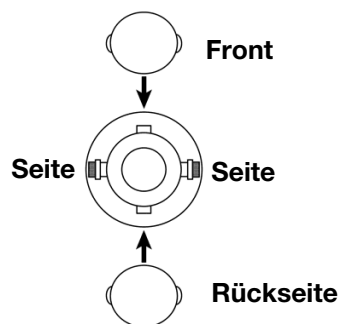
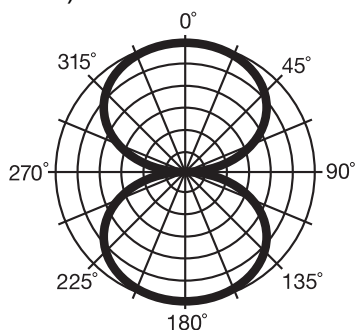
9. **Mini-USB-Anschluss:** Verwenden Sie ein Standard-Mini-USB-Kabel (im Lieferumfang enthalten), um diesen Port an einen USB-Port Ihres Computers anzuschließen (wenn Sie ihn an einen USB-Hub anschließen, stellen Sie sicher, dass es sich um einen mit Strom versorgten Hub handelt). Der USB-Port des Computers bietet reichlich Strom für Ihr Uber Mic. Uber Mic ist klassenkompatibel, so dass Sie keine zusätzlichen Treiber installieren müssen.

Richtcharakteristiken

Um die Richtcharakteristik des Mikrofons auszuwählen, drehen Sie den Wahlschalter für Richtcharakteristik auf die gewünschte Einstellung.

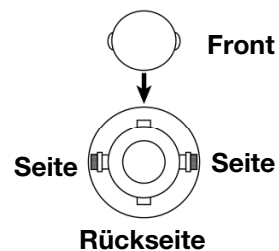
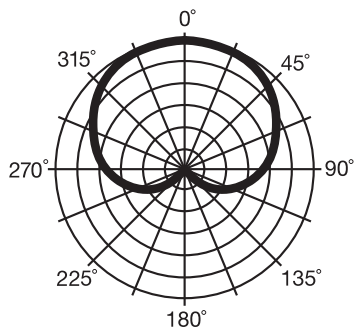


Dipole (bidirektional)



**Bidirektional** bedeutet, dass das Mikrophon den Ton an der Vorderseite und Rückseite des Mikrofons aufnimmt. Der Klang an den Seiten des Mikrofons wird nicht aufgezeichnet. Verwenden Sie diese Einstellung mit zwei oder mehr Tonquellen (eine Quelle an der Vorderseite des Mikrofons und die andere an der Rückseite des Mikrofons) für Interviews, Instrumente oder Gesangsduette.

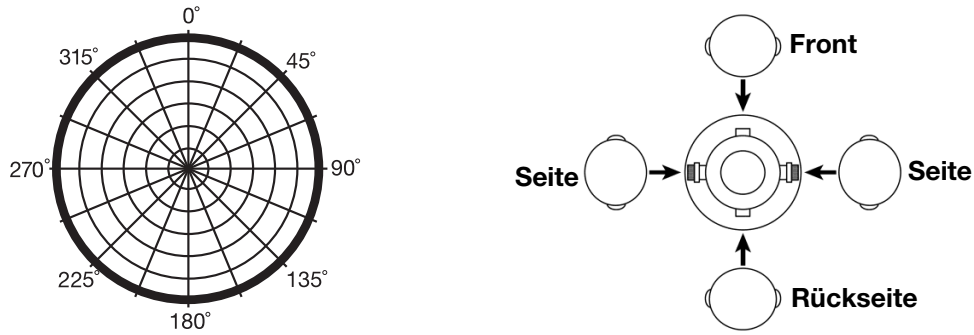
Nierenförmig



**Nierenförmig** bedeutet, dass das Mikrophon den Klang direkt vor dem Mikrophon aufnimmt. Klang von den Seiten und der Rückseite des Mikrofons wird nicht aufgezeichnet. Diese Mustereinstellung eignet sich hervorragend für Podcasts, Voiceovers, Gesang und Instrumente.

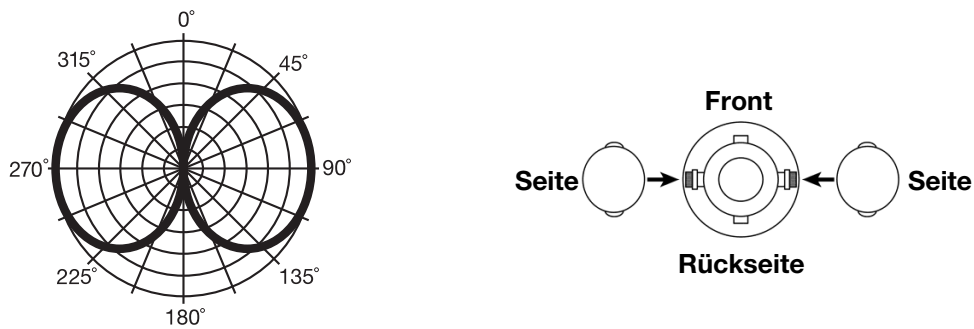


**Omni**



**Omni** bedeutet, dass das Mikrofon den Klang gleichmäßig von allen Richtungen aufnimmt. Verwenden Sie diese Einstellung in Situationen, in denen Sie das Ambiente des Raumes erfassen möchten. Beginnen Sie, indem Sie die Vorderseite des Mikrofons an die primäre Tonquelle bringen. Diese Einstellung eignet sich ideal für Konferenzgespräche, Feldaufnahmen oder Events/Orchester.

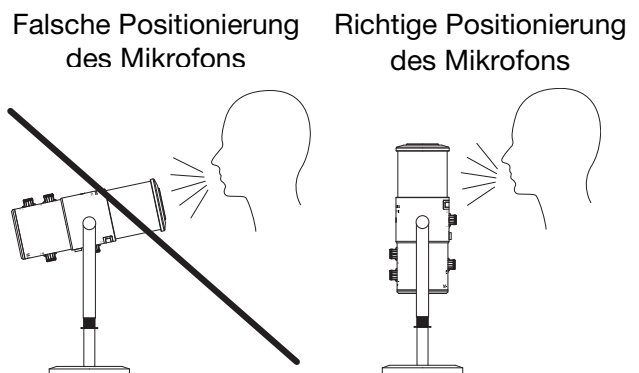
**Stereo**



**Stereo** bedeutet, dass das Mikrofon den Ton an der linken und rechten Seite des Mikrofons aufnimmt. Um zu beginnen, bringen Sie die Vorderseite des Mikrofons an die Schallquelle, etwa in einer Entfernung von 2 Zoll oder einigen Fuß. Bringen Sie die Klangquelle auf die linke oder rechte Seite des Mikrofons, um am linken oder rechten Kanal mehr vom Signal aufzunehmen. Diese Einstellung ist ideal für Gesang, Chor oder Instrumente. Wenn Sie Aufnahmesoftware verwenden, stellen Sie den Aufnahmekanal als Stereospur (2 Kanäle) ein. So wird sichergestellt, dass Ihre Stereoaufnahme korrekt aufgenommen wird.

**Mikrofonplatzierung**

Über Mic ist ein Mikrofon mit seitlicher Einsprechrichtung, das den Schall aus einem Winkel senkrecht zum Mikrofon empfängt - im Gegensatz zu einem Mikrofon mit frontaler Einsprechrichtung, das den Ton vom „Ende“ des Mikrofons aufnimmt. Siehe Abbildung unten für die richtige Platzierung des Mikrofons.



## Anpassen der Lautstärkeeinstellungen

Sehen Sie sich die unten stehenden Schritte für die beste Einstellung an, um die Lautstärke für die verschiedenen Quellen, wie Sprachchat, Streaming, Podcasting oder Aufnahme entsprechend anzupassen.

1. Drehen Sie den **Mic Gain**-Regler, um den Pegel des Signals einzustellen, das an Ihren Computer gesendet wird. Stellen Sie diesen Regler so ein, dass die Verstärkung auf einem „gesunden“ Pegel ist, aber nicht so hoch, dass das Signal „clippt“ oder Spitzenwerte erreicht, was zu Verzerrungen im Audiosignal führt.

**Hinweis:** „Clipping“ wird durch den Pegelmesser in Ihrer Software angezeigt, der **0 dB** überschreitet und normalerweise rot wird.

2. Drehen Sie den **Kopfhörer**-Lautstärkeregler, um die Lautstärke einzustellen und hören Sie sich das Audiosignal mit dem Kopfhörer an, der an den Kopfhörerausgang des Über Mic angeschlossen ist oder verwenden die an die Soundkarte des Computers angeschlossenen Lautsprecher.
3. Drehen Sie den **USB-Mic**-Regler, um den Signal-Mix der an den Kopfhörerausgang gesendeten Signale einzustellen. Drehen Sie in Richtung **Mic**, um mehr vom Mikrofonsignal zu hören oder in Richtung **USB**, um mehr von Ihrem Computer-Ausgangssignal zu hören.

4. Stellen Sie die Eingangslautstärke des Computers ein.

- **Windows:** Suchen Sie das **Lautsprechersymbol** für die Lautstärke in der **Taskleiste**. Klicken Sie mit der rechten Maustaste darauf und wählen Sie **Aufnahmegeräte**. Klicken Sie im **Windows Sound**-Bedienfeld auf die Registerkarte **Aufnahme** und klicken Sie in der rechten unteren Ecke auf **Eigenschaften**. Klicken Sie auf die Registerkarte **Pegel** und stellen Sie den Lautstärkeregler des Mikrofons auf einen „gesunden“ Pegel ohne Verzerrung ein.

**Hinweis:** „Clipping“ wird durch den Pegelmesser in Ihrer Software angezeigt, der **0 dB** überschreitet und normalerweise rot wird.

- **macOS:** Wählen Sie im **Apple**-Menü die Option **Systemeinstellungen**. Wählen Sie das Symbol **Sound**. Wählen Sie die Registerkarte **Eingabe** und stellen den **Eingangspegel** auf ca. **80%** ein. Erhöhen oder verringern Sie diese Einstellung, um das Signal auf einen „gesunden“ Pegel ohne Verzerrung zu bringen.

**Hinweis:** „Clipping“ wird durch den Pegelmesser in Ihrer Software angezeigt, der **0 dB** überschreitet und normalerweise rot wird.

5. Stellen Sie die Ausgangslautstärke des Computers ein:

- **Windows:** Suchen Sie das **Lautsprechersymbol** für die Lautstärke in der **Taskleiste**. Klicken Sie mit der rechten Maustaste auf den Lautsprecher und wählen **Wiedergabegeräte**. Klicken Sie im **Windows Sound**-Bedienfeld auf die Registerkarte **Wiedergabe** und klicken Sie in der rechten unteren Ecke auf **Eigenschaften**. Klicken Sie auf die Registerkarte **Pegel** und stellen Sie den Lautstärkeregler des Mikrofons auf einen „gesunden“ Pegel ohne Verzerrung ein.
- **macOS:** Wählen Sie im **Apple**-Menü die Option **Systemeinstellungen**. Wählen Sie das Symbol **Sound**. Wählen Sie die Registerkarte **Ausgabe** und stellen Sie die **Lautstärke** auf **100%** ein.

## Appendix (English)

### Technical Specifications

Microphone	
<b>Type</b>	3-capsule condenser USB microphone
<b>Capsule Size</b>	16 mm
<b>Polar Patterns</b>	Figure 8, cardioid, omni, and stereo
<b>Frequency Response</b>	30 Hz – 20 kHz
<b>Sensitivity</b>	-45 dB (0 dB = 1 V/Pa @ 1 kHz)
<b>SNR</b>	110 dB
<b>Maximum SPL</b>	120 dB (THD $\leq$ 1%, 1 kHz)
Headphone Output	
<b>Impedance</b>	10 $\Omega$
<b>Output Power</b>	30 mW (@ 48 $\Omega$ )
<b>THD</b>	0.03%
<b>Frequency Response</b>	20 Hz – 20 kHz
<b>SNR</b>	110 dB
General	
<b>Connectors</b>	(1) 1/8" (3.5 mm) TRS/stereo headphone output (1) mini-USB port (1) 5/8"-27 mounting point
<b>Power</b>	via mini-USB
<b>Dimensions</b>	4.5" x 10.8" / 11.4 x 27.4 cm (diameter x height; with integrated stand)
<b>Weight</b>	4.0 lb. / 1.8 kg (microphone & integrated stand) 1.5 lb. / 0.7 kg (microphone only) 2.1 lb. / 1.0 kg (integrated stand only)

Specifications are subject to change without notice.

### Trademarks & Licenses

M-Audio is a trademark of inMusic Brands, Inc., registered in the U.S. and other countries.

Apple and macOS are trademarks of Apple Inc., registered in the U.S. and other countries.

Windows is a registered trademark of Microsoft Corporation in the United States and other countries.

All other product names, company names, trademarks, or trade names are those of their respective owners.

---

**m-audio.com**

Manual Version 1.0